

SCHAUB LORENZ

BUILT UNDER LARDER

User manual

ВСТРАИВАЕМЫЙ ХОЛОДИЛЬНИК

Руководство пользователя

SLS E136W0M

Index

BEFORE USING THE APPLIANCE	3
General warnings	3
Old and out-of-order fridges	5
Safety warnings.....	5
Installing and operating your fridge	6
Before using your fridge	6
HOW TO OPERATE THE APPLIANCE	7
Thermostat setting	7
FOOD STORAGE IN THE APPLIANCE	7
CLEANING AND MAINTENANCE.....	8
Defrosting	9
Replacing the light bulb.....	9
TRANSPORTATION AND CHANGING OF INSTALLATION POSITION	10
BEFORE CALLING YOUR AFTER SALES SERVICE.....	10
Tips for saving energy	11
THE PARTS OF THE APPLIANCE AND THE COMPARTMENTS	12
Installation instructions	13

The operating instructions apply to several models. Differences may therefore occur.

PART 1. BEFORE USING THE APPLIANCE

General warnings

WARNING: Keep ventilation openings, in the appliance enclosure or in the built-in structure, clear of obstruction.

WARNING: Do not use mechanical devices or other means to accelerate the defrosting process, other than those recommended by the manufacturer.

WARNING: Do not use electrical appliances inside the food storage compartments of the appliance, unless they are of the type recommended by the manufacturer.

WARNING: Do not damage the refrigerant circuit.

WARNING: To avoid a hazard due to the instability of the appliance, it must be fixed in accordance with the instructions.

- If your appliance uses R600a as a refrigerant (this information will be provided on the label of the cooler) you should take care during transportation and installation to prevent the cooler elements from being damaged. R600a is an environmentally friendly and natural gas, but it is explosive. In the event of a leak due to damage of the cooler elements, move your fridge away from open flames or heat sources and ventilate the room where the appliance is located for a few minutes.
- While carrying and positioning the fridge, do not damage the cooler gas circuit.
- Do not store explosive substances such as aerosol cans with a flammable propellant in this appliance.
- This appliance is intended to be used in household and domestic applications such as:
 - staff kitchen areas in shops, offices and other working environments.
 - farm houses and by clients in hotels, motels and other residential type environments.

- bed and breakfast type environments;
- catering and similar non-retail applications.
- If the socket does not match the refrigerator plug, it must be replaced by the manufacturer, a service agent or similarly qualified persons in order to avoid a hazard.
- A specially grounded plug has been connected to the power cable of your refrigerator. This plug should be used with a specially grounded socket of 16 amperes. If there is no such socket in your house, please have one installed by an authorised electrician.
- This appliance can be used by children aged from 8 years and above and persons with reduced physical, sensory or mental capabilities or lack of experience and knowledge if they have been given supervision or instruction concerning use of the appliance in a safe way and understand the hazards involved. Children shall not play with the appliance. Cleaning and user maintenance shall not be made by children without supervision.
- If the supply cord is damaged, it must be replaced by the manufacturer, an authorised service agent or similar qualified persons, in order to avoid a hazard.
- This appliance is not intended for use at altitudes exceeding 2000 m.

Old and out-of-order fridges

- If your old fridge has a lock, break or remove the lock before discarding it, because children may get trapped inside it and may cause an accident.
- Old fridges and freezers may contain isolation material and refrigerant with CFC or HFC. Therefore, take care not to harm environment when you are discarding your old fridges.



Please ask your municipal authority about the disposal of the WEEE reuse, recycle and recovery purposes.

Notes:

- Please read the instruction manual carefully before installing and using your appliance.
We are not responsible for the damage occurred due to misuse.
- Follow all instructions on your appliance and instruction manual, and keep this manual in a safe place to resolve the problems that may occur in the future.
- This appliance is produced to be used in homes and it can only be used in domestic environments and for the specified purposes. It is not suitable for commercial or common use. Such use will cause the guarantee of the appliance to be cancelled and our company will not be responsible for losses incurred.
- This appliance is produced to be used in houses and it is only suitable for cooling / storing food. It is not suitable for commercial or common use and/or for storing substances except for food. Our company is not responsible for losses to be incurred in the contrary case.

Safety warnings

- Do not connect your fridge to the mains electricity supply using an extension lead.
- Do not plug in damaged, torn or old plugs.
- Do not pull, bend or damage the cord.



- This appliance is designed for use by adults, do not allow children to play with the appliance or let them hang off the door.
- Never touch the power cord/plug with wet hands as this could cause a short circuit or electric shock.
- Do not place explosive or flammable material in your fridge. Place drinks with high alcohol content vertically in the fridge and make sure that their tops are tightly closed.
- Do not cover the body or top of fridge with lace. This affects the performance of your fridge.
- Secure any accessories in the fridge during transportation to prevent damage to the accessories.



Installing and operating your fridge

Before starting to use your fridge, you should pay attention to the following points:

- The operating voltage for your fridge is 220-240 V at 50Hz.
- The plug must be accessible after installation.
- Your fridge may have a smell when it is operated for the first time. This is normal and the smell will fade away when your fridge starts to cool.
- Before connecting your Fridge Freezer, ensure that the information on the data plate (voltage and connected load) matches that of the mains electricity supply. If in doubt, consult a qualified electrician.
- Insert the plug into a socket with an efficient ground connection. If the socket has no ground contact or the plug does not match, we recommend that you consult a qualified electrician for assistance.
- The appliance must be connected with a properly installed fused socket. Power supply (AC) and voltage at the operating point must match with the details on the name plate of the appliance (name plate is located on the inside left of the appliance).
- We do not accept responsibility for any damages that occur due to ungrounded usage.
- Place your fridge where it will not be exposed to direct sunlight.
- Your fridge should never be used outdoors or exposed to rain.
- Your appliance should be at least 50 cm away from stoves, gas ovens and heater cores, and at least 5 cm away from electrical ovens.
- When your fridge is placed next to a deep freezer, there should be at least 2 cm between them to prevent humidity forming on the outer surface.
- Do not place heavy items on the appliance.
- Clean the appliance thoroughly, especially the interior, before use (see Cleaning and Maintenance).
- The installation procedure into the kitchen unit is given in the Installation Manual. This product is intended to be used in proper kitchen units only.
- Before using your fridge, wipe all parts with a solution of warm water and a teaspoon of sodium bicarbonate, then rinse with clean water and dry.
Place all parts in the fridge after cleaning.



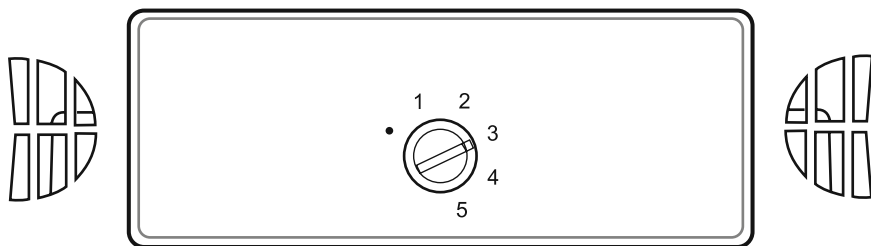
Before using your fridge

- When using your fridge for the first time, or after transportation, keep it in an upright position for at least 3 hours before plugging into the mains. This allows efficient operation and prevents damage to the compressor.
- Your fridge may have a smell when it is operated for the first time. This is normal and the smell will fade away when your fridge starts to cool.



PART 2. HOW TO OPERATE THE APPLIANCE

Thermostat setting



The thermostat automatically regulates the inside temperature of the refrigerator. By rotating the knob from position 1 to 5, colder temperatures can be obtained.

Important note: Do not try to rotate knob beyond position 1. It will stop your appliance from working.

- For short-term storage of food in the fridge, you can set the knob between minimum and medium positions (1-3).
- For long-term storage of food in the fridge, you can set knob to the medium position (3-4)
- Note that: the ambient temperature, temperature of freshly stored food and how often the door is opened, affects the temperature in the fridge. If required, change the temperature setting.
- When you first switch on the appliance, you should ideally try to run it without any food in for 24 hours and not open the door. If you need to use it straight away, try not to put a large quantity of food inside.
- If the unit is switched off or unplugged, you must allow at least 5 minutes before restarting in order not to damage the compressor.
- The larders (coolers) do not have a freezer compartment but can cool up to 4 - 6 °C.

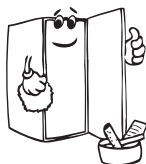
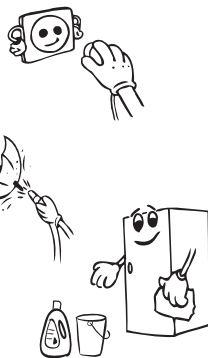
PART 3. FOOD STORAGE IN THE APPLIANCE

The fridge is used for storing fresh food for few days.

- Do not place food in direct contact with the rear wall of the refrigerator. Leave some space around food to allow the circulation of air.
- Do not place hot food or evaporating liquid in the refrigerator.
- Always make sure food is wrapped or stored in closed containers.
- To reduce humidity and avoid formation of frost, never place liquids in unsealed containers in the refrigerator.
- We recommend that you loosely wrap meat and store it on the glass shelf just above the vegetable bin, where the air is cooler.
- Store fruit and vegetable items loose in the crisper containers.
- To prevent the cold air escaping, try not to open the door too often, and not leave the door open for a long time.

PART 4. CLEANING AND MAINTENANCE

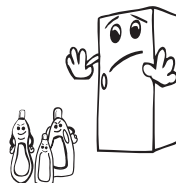
- **Disconnect the unit from the power supply before cleaning.**
- Do not clean the appliance by pouring water.
- Make sure that no water enters the lamp housing and other electrical components.
- The refrigerator should be cleaned periodically using a solution of bicarbonate of soda and lukewarm water.



- Clean the accessories separately with soap and water. Do not clean them in the dishwasher.

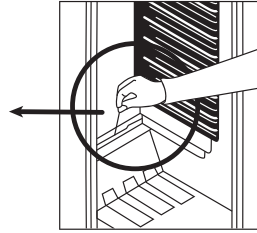
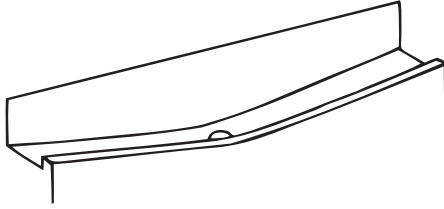


- Do not use abrasive products, detergents or soaps. After washing, rinse with clean water and dry carefully. When you have finished cleaning, reconnect the plug to the mains supply with dry hands.



THE POWER SUPPLY MUST BE DISCONNECTED.

Defrosting



- Defrosting occurs automatically in the fridge during operation; the water is collected by the evaporation tray and evaporates automatically.
- The evaporation tray and the water drain hole should be cleaned periodically with the defrost drain plug to prevent the water from collecting at the bottom of the fridge instead of flowing out.
- You can also clean the drain hole by pouring $\frac{1}{2}$ glass of water down it.

Replacing the light bulb

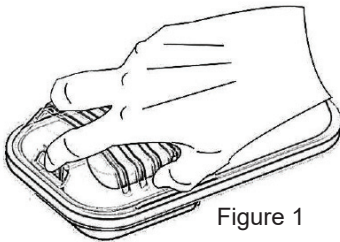


Figure 1

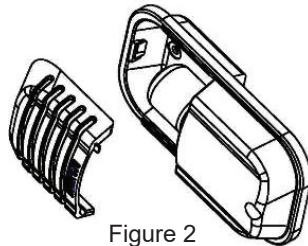


Figure 2

When replacing the bulb of the fridge;

1. Unplug the unit from the power supply,
2. Press the hook in front of the light cover **as in** Figure 1 and remove the light cover,
3. Change the present light bulb with a new one of not more than 15 W.
4. Replace the light cover and after waiting 5 minutes plug the unit.

Replacing LED Lighting

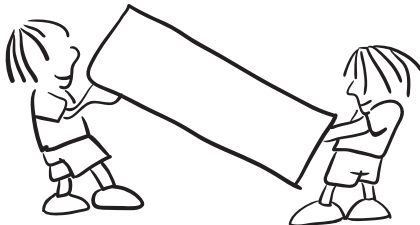
If your fridge has LED lighting contact the help desk as this should be changed by authorized personnel only.

PART 5. TRANSPORTATION AND CHANGING OF INSTALLATION POSITION

Transportation and changing of Installation position

- The original packages and foamed polystyrene (PS) can be retained if required.
- During transportation, the appliance should be secured with a wide string or a strong rope. The instructions written on the corrugated box must be followed while transporting.
- Before transporting or changing the installation position, all the moving objects (ie,shelves,crisper...) should be taken out or fixed with bands in order to prevent them from getting damaged.

Carry your fridge in the upright position.



PART 6. BEFORE CALLING YOUR AFTER SALES SERVICE

If your fridge is not working properly, it may be a minor problem, therefore check the following.

The appliance does not operate,

Check if:

- There is a power failure.
- The mains plug is not plugged in properly, or is loose.
- The thermostat setting is on position “•“.
- The socket is defective. To check this, plug in another appliance that you know is working into the same socket.

The appliance performs poorly,

Check if:

- You have overloaded the appliance.
- The door is not closed properly.
- There are not enough ventilation ducts in the kitchen unit as mentioned in the installation manual.

If there is noise:

The cooling gas which circulates in the fridge circuit may make a slight noise (bubbling sound) even when the compressor is not running. Do not worry, this is quite normal. If you hear different sounds, check if:

- The appliance is installed firmly as described in the installation manual.
- Objects on the appliance are vibrating.

If there is water in the lower part of the fridge,

Check if:

The drain hole for water is not clogged (use defrost drain plug to clean the drain hole).

If your fridge is not cooling sufficiently enough;

Your fridge is designed to operate in the ambient temperature intervals stated in the standards, according to the climate class stated in the information label. We do not recommend operating your fridge out of stated temperatures value limits. This will reduce the cooling efficiency of the fridge.

This appliance is designed for use at an ambient temperature within the 10°C - 32°C range.

Climate Class	Ambient Temperature °C
T	Between 16 and 43 (°C)
ST	Between 16 and 38 (°C)
N	Between 16 and 32 (°C)
SN	Between 10 and 32 (°C)

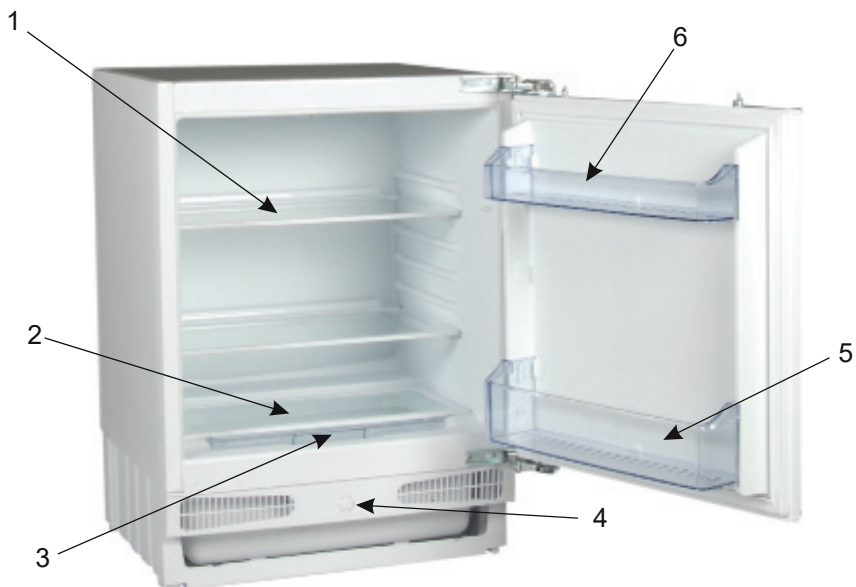
Recommendations

- When there is no power, to prevent any damage to the compressor, you should unplug the refrigerator. You should delay plugging in 5 – 10 minutes after power is restored.
- If you unplug the refrigerator for any reason you should wait at least 5 min to replug. This will avoid damage to the refrigerator's components.
- The cooling unit of your refrigerator is hidden at the rear of the appliance. Therefore, water droplets or icing may form on the rear surface of your fridge due to the operation of the compressor at specified intervals. This is normal, there is no need to perform a defrosting operation unless the icing is excessive.
- If you do not intend to use your fridge for a long time (e.g. in summer holidays), turn the thermostat to the «*» position. After defrosting, clean your fridge and leave the door open to prevent humidity and smells.
- If the problem persists after you have followed all the instructions above, please consult to the nearest Authorised Service Centre.
- The appliance you have purchased is designed for domestic use and can only be used at home and for the stated purposes. It is not suitable for commercial or common use. If the consumer uses the appliance in a way that does not comply with this, we emphasise that the manufacturer and the dealer will not be responsible for any repair and failure within the guarantee period.

Tips for saving energy

1. Install the appliance in a cool, well ventilated room, but not in direct sunlight and not near a heat source (radiator, cooker.. etc). Otherwise use an insulating plate.
2. Allow warm food and drinks to cool down outside the appliance.
3. Cover drinks or other liquids when placing them in the appliance. Otherwise humidity increases in the appliance. Therefore, the working time gets longer. Also covering drinks and other liquids helps to preserve smell and taste.
4. Try to avoid keeping the doors open for long periods or opening the doors too frequently as warm air will enter the cabinet and cause the compressor to switch on unnecessarily often.
5. Keep the covers of the different temperature compartments (crisper, chiller ...etc) closed
6. Door gasket must be clean and pliable. Replace gaskets if worn.

PART 7. THE PARTS OF THE APPLIANCE AND THE COMPARTMENTS

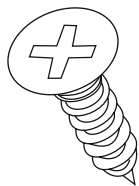


This presentation is only for information about the parts of the appliance.
Parts may vary according to the appliance model.

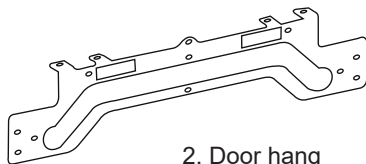
- 1) Fridge shelves
- 2) Crisper cover
- 3) Crisper
- 4) Thermostat knob
- 5) Door shelves
- 6) Egg holder

Installation instructions

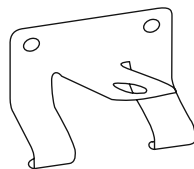
Installation Kit Contents



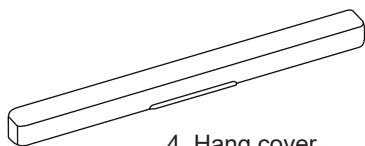
1. Wood screw x17



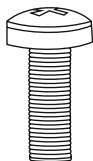
2. Door hang



3. Door Bottom Fixings x2



4. Hang cover

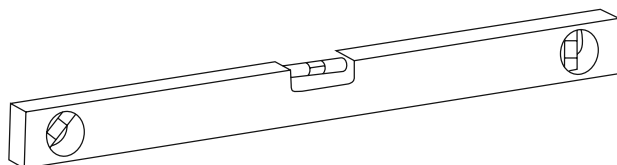


5. Screw

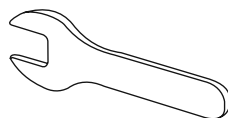


6. Top bracket

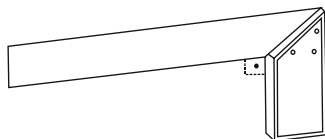
Tools Required



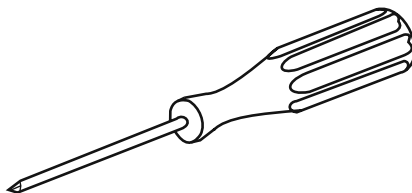
7. Spirit level



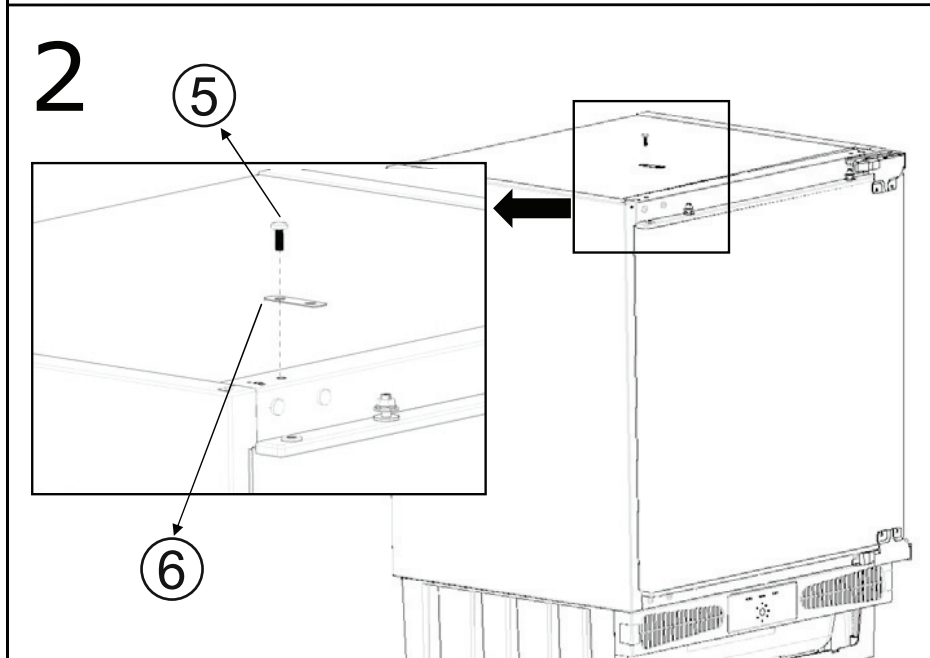
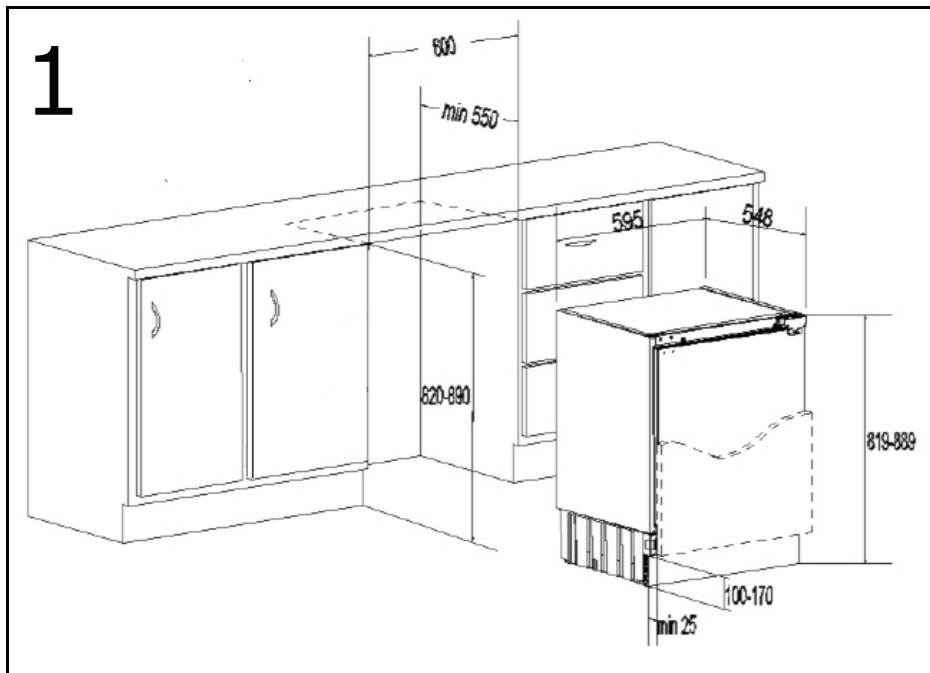
8. Wrench



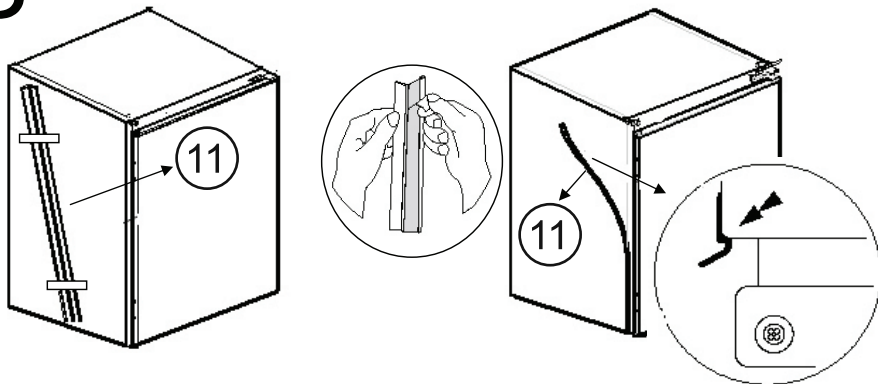
9. Setsquare



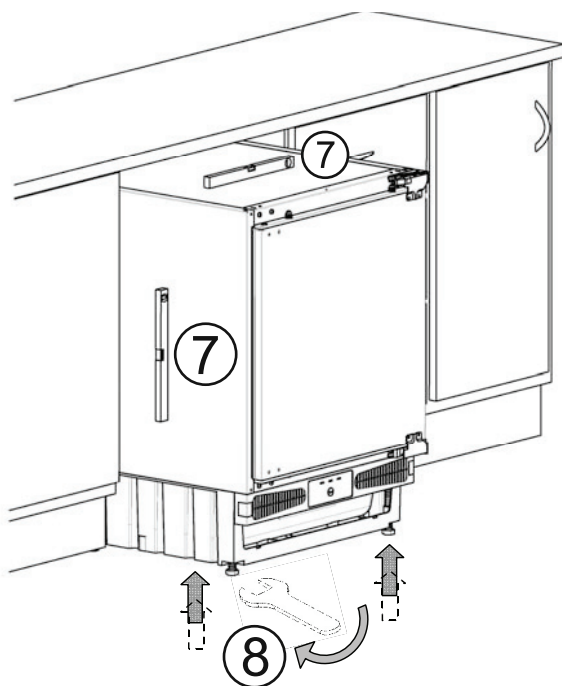
10. Screwdriver



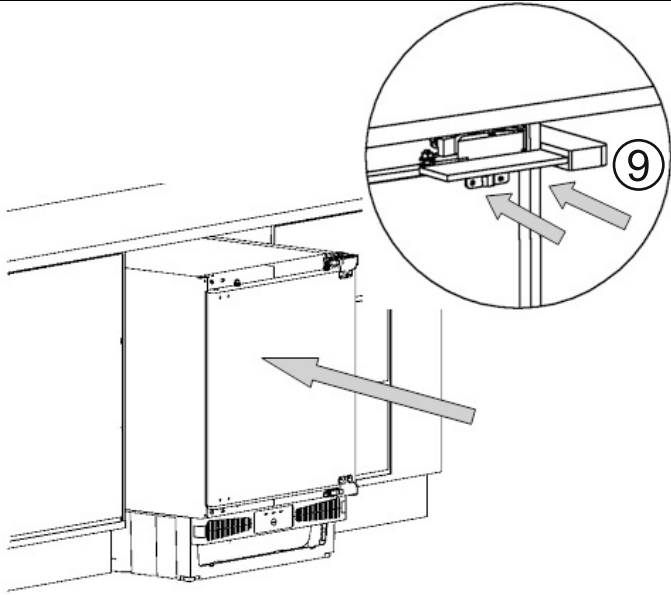
3



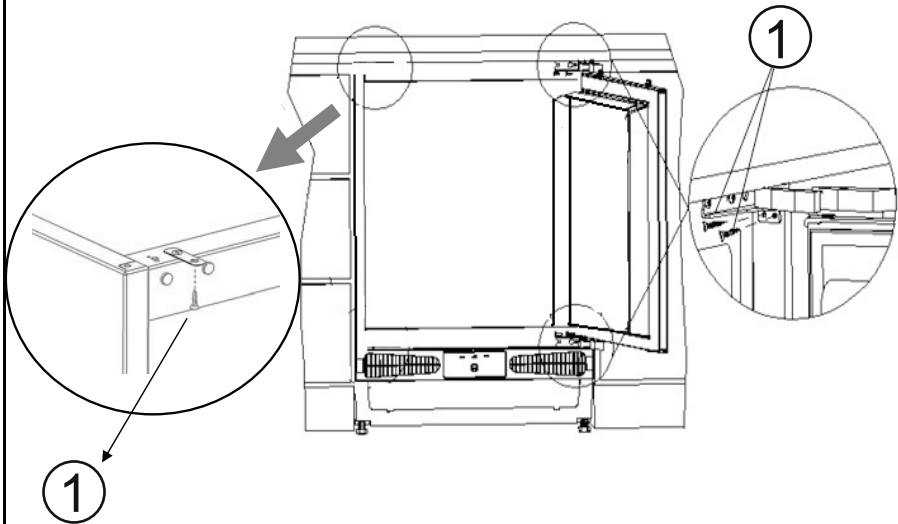
4



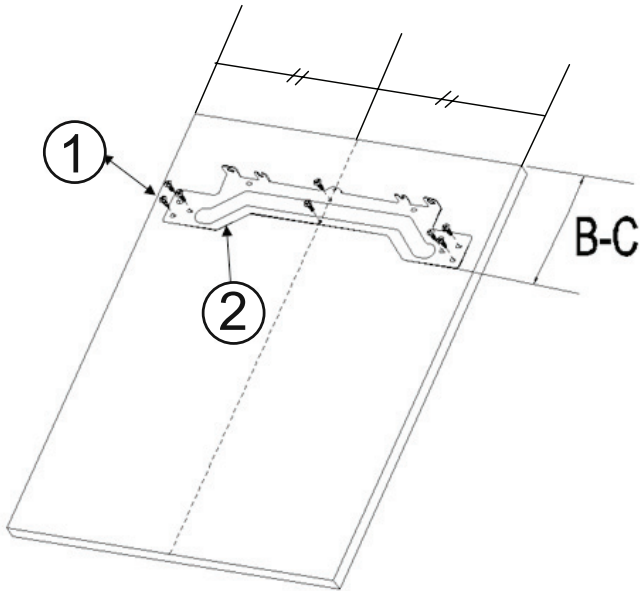
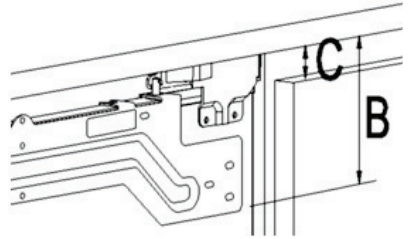
5



6

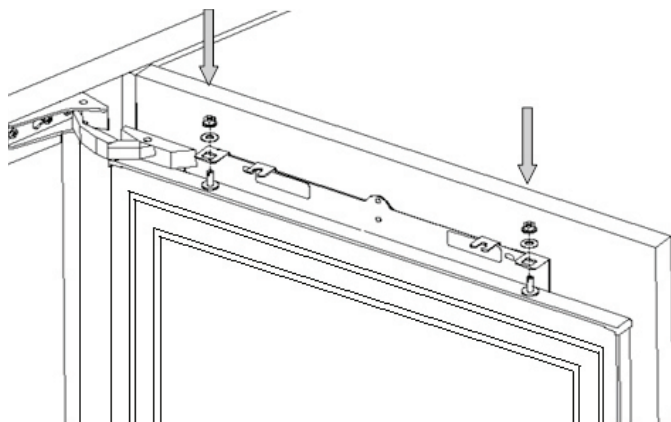


7

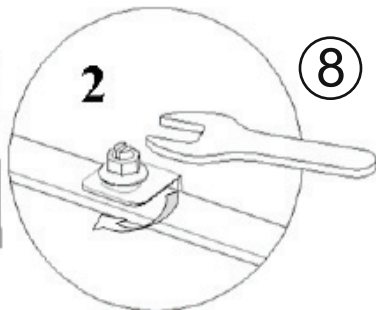
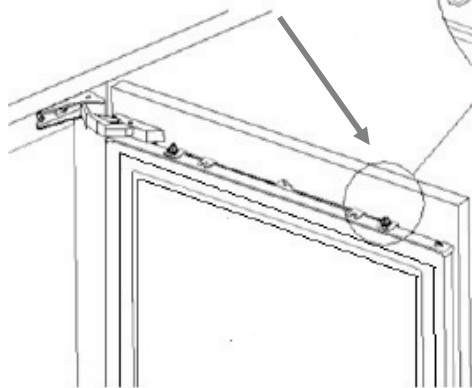
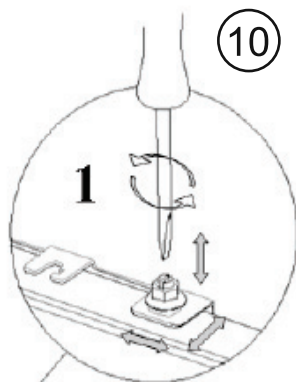
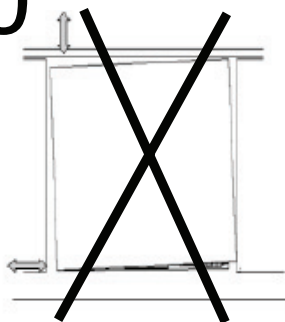


8

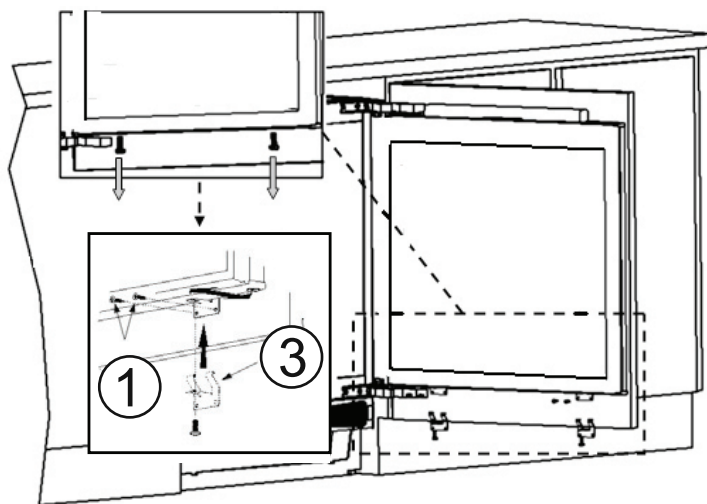
9



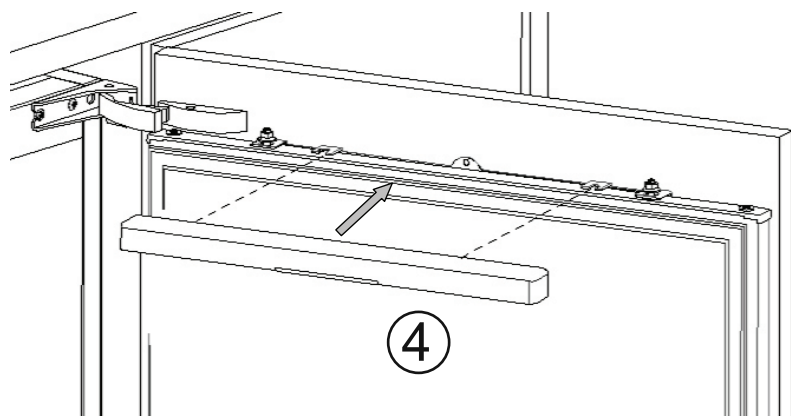
10



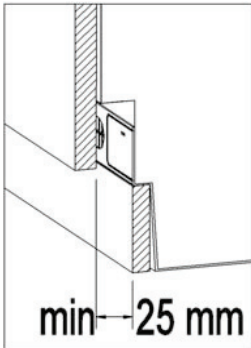
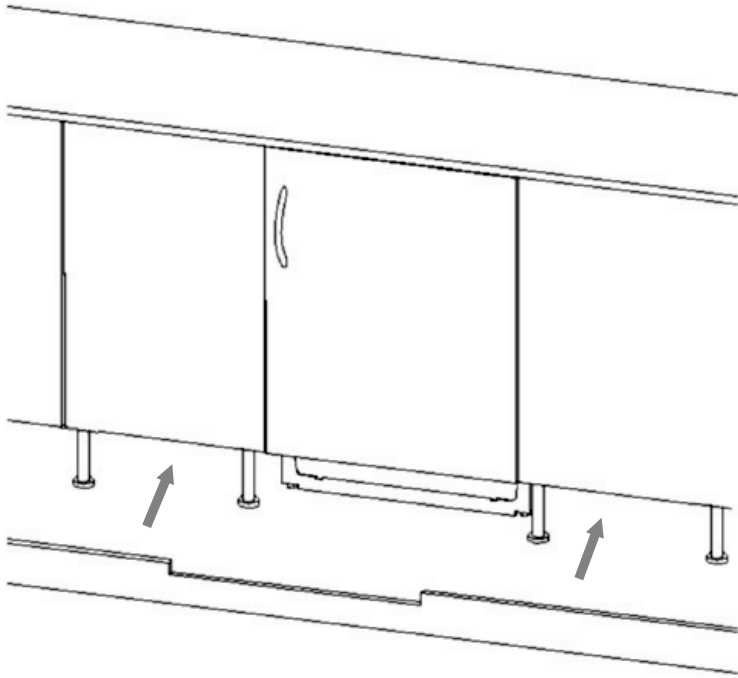
11



12



13



Содержание

ПЕРЕД ЭКСПЛУАТАЦИЕЙ ИЗДЕЛИЯ	22
Общие предостережения.....	22
Старые и неисправные холодильники.....	25
Правила техники безопасности	26
Установка и эксплуатация холодильника	26
Перед использованием холодильника.....	27
КАК ПОЛЬЗОВАТЬСЯ ИЗДЕЛИЕМ	28
Настройка термостата.....	28
ХРАНЕНИЕ ПРОДУКТОВ В ХОЛОДИЛЬНОМ ШКАФУ.....	29
ЧИСТКА И ОБСЛУЖИВАНИЕ	29
Размораживание холодильника	30
Замена лампочки.....	30
ТРАНСПОРТИРОВКА И ПЕРЕСТАНОВКА	31
ПРЕЖДЕ ЧЕМ ЗВОНИТЬ В СЛУЖБУ ПОСЛЕПРОДАЖНОГО ОБСЛУЖИВАНИЯ	31
Рекомендации по энергосбережению.....	33
КОМПОНЕНТЫ ХОЛОДИЛЬНОГО ШКАФА И ЕГО ОТДЕЛЕНИЙ	34
Инструкции по установке	35

Инструкция по эксплуатации относится к нескольким моделям. Поэтому могут иметься отличия.

Общие предостережения

ПРЕДУПРЕЖДЕНИЕ. Вентиляционные отверстия в корпусе устройства или во встроенных конструкциях не должны перекрываться.

ПРЕДУПРЕЖДЕНИЕ. Для ускорения размораживания не используйте механические устройства или другие средства, которые не рекомендованы производителем.

ПРЕДУПРЕЖДЕНИЕ. Не используйте внутри камер холодильника электрические приборы, если они не рекомендованы производителем.

ПРЕДУПРЕЖДЕНИЕ. Не допускайте повреждений в системе циркуляции холодильного агента.

ПРЕДУПРЕЖДЕНИЕ. Чтобы избежать риска в связи с плохой устойчивостью прибора, его следует установить согласно инструкции.

- Если в качестве хладагента в приборе используется R600a (эта информация приведена на этикетке холодильника), следует быть предельно осторожным во время транспортировки и установки, чтобы не повредить компоненты системы охлаждения. Хотя R600a – это безвредный для окружающей среды природный газ, он также является взрывоопасным веществом. В случае утечки вследствие повреждения компонентов системы охлаждения следует переместить холодильник подальше от открытых источников огня или тепла и проветривать помещение, где он находится, в течение нескольких минут.
- При перемещении и установке холодильника не допускайте повреждения системы циркуляции охлаждающего газа.
- Не храните в этом приборе взрывоопасные вещества

(например, аэрозольные баллоны с горючим пропеллентом).

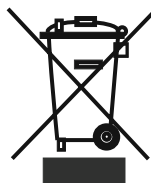
- Данный прибор предназначен для использования в бытовых и аналогичных бытовых условиях, таких как:
 - кухонные зоны для персонала в магазинах, офисах и других рабочих помещениях;
 - фермы, номера для клиентов в отелях, мотелях и других помещениях жилого типа;
 - номера гостиниц типа «ночлег и завтрак»;
 - кейтеринг и подобные сферы применения, не связанные с розничной торговлей.
- Если розетка не подходит под вилку холодильника, ее должен заменить производитель, его агент по сервисному обслуживанию или другой квалифицированный специалист, что позволит избежать аварийной ситуации.
- Это устройство не предназначено для использования лицами (в том числе детьми) с ограниченными физическими, сенсорными или интеллектуальными возможностями либо с недостатком опыта и знаний; они могут пользоваться холодильником только под присмотром лица, ответственного за их безопасность, или согласно его указаниям по эксплуатации. Следите за тем, чтобы дети не играли с этим прибором.
- Шнур питания холодильника снабжен специальной заземленной штепсельной вилкой. Эту вилку всегда следует использовать со специальной заземленной розеткой на 16 ампер. Если в помещении нет такой розетки, ее должен установить компетентный электрик.
- Это устройство могут использовать дети старше 8 лет и лица с ограниченными физическими, сенсорными или интеллектуальными возможностями либо с недостатком опыта и знаний, если за ними осуществляется присмотр

или они действуют согласно указаниям по безопасной эксплуатации и понимают возможные опасности. Не позволяйте детям играть с прибором. Дети допускаются до очистки и технического обслуживания только под присмотром взрослых.

- Если поврежден шнур питания, его должен заменить производитель, его агент по сервисному обслуживанию или другой квалифицированный специалист, что позволит избежать аварийной ситуации.
- Этот прибор не предназначен для использования на высоте более 2000 м над уровнем моря.

Старые и неисправные холодильники

- Если ваш старый холодильник оснащен замком, сломайте или демонтируйте его, прежде чем отправлять прибор на утилизацию, поскольку дети могут забраться в камеру и закрыться внутри.
- Старые холодильники и морозильные камеры содержат изоляционный материал и хладагент с хлорфторуглеродами. При их утилизации не допускайте загрязнения окружающей среды.



Уточните у местных властей способ утилизации электрического и электронного оборудования для повторного использования, переработки и восстановления.

Примечания

- Внимательно ознакомьтесь с руководством по эксплуатации перед установкой и использованием прибора. Мы не несем ответственности за повреждения, которые возникают вследствие неправильного использования.
- Следуйте инструкции, а также указаниям в руководстве по эксплуатации. Храните это руководство в надежном месте, чтобы использовать для решения проблем, которые могут возникнуть при дальнейшем использовании.
- Прибор произведен для использования в жилых помещениях и может использоваться только в жилых помещениях для заданных целей. Он не подходит для коммерческого или общего пользования. Такое использование приведет к потере гарантии. Наша компания не будет нести ответственности за потенциальные убытки.
- Прибор произведен для использования в жилых помещениях и предназначен исключительно для охлаждения и хранения продуктов. Он не подходит для коммерческого или общего пользования и/или для хранения веществ, не относящихся к пищевым продуктам. Наша компания не будет нести ответственность за убытки, возникшие в противном случае.

Правила техники безопасности

- Не используйте множественные штепсельные розетки или удлинители.
- Не подключайте прибор к поврежденным, изношенным или старым розеткам.
- Старайтесь не тянуть и не изгибать шнур, а также избегайте его повреждений.



- Прибор предназначен для использования взрослыми людьми. Не позволяйте детям играть с холодильником или висеть на дверце.
- Не вставляйте и не вытягивайте розетку мокрыми руками, чтобы избежать поражения электрическим током!
- В целях безопасности не помещайте в холодильник взрывоопасные и воспламеняющиеся материалы. Напитки с высоким содержанием алкоголя следует ставить в холодильник вертикально, с плотно закрытой крышкой.
- Не накрывайте кружевом корпус или верхнюю часть холодильника. Это повлияет на работоспособность холодильника.
- При транспортировке закрепляйте все принадлежности внутри холодильника, чтобы избежать их повреждения.



Установка и эксплуатация холодильника

Перед началом использования холодильника обратите внимание на следующие моменты:

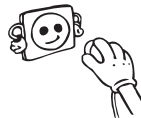
- Рабочее напряжение холодильника составляет 220–240 В при частоте 50 Гц.
- Вилка должна оставаться доступной после установки устройства.
- При первом включении прибора может быть запах. Он исчезнет, когда устройство начнет охлаждение.
- Прежде чем подключать устройство к сети питания, убедитесь в соответствии напряжения на паспортной табличке напряжению вашей домашней электросети.
- Вставьте вилку в розетку с эффективным заземлением. Если розетка не подключена к заземлению или вилка не соответствует розетке, мы предлагаем обратиться к авторизованному электрику.
- Прибор должен быть подключен к правильно установленной розетке с предохранителем. Источник питания (переменного тока) и напряжение в рабочей точке должны совпадать с данными, указанными на табличке прибора (она расположена на внутренней левой стороне холодильника).
- Мы не несем ответственности за повреждения в связи с эксплуатацией без заземления.

- Установите холодильник в месте, где на него не будут попадать прямые солнечные лучи.
- Не используйте холодильник на открытом воздухе и не оставляйте его под дождем.
- Прибор следует устанавливать на расстоянии не менее 50 см от печей, газовых духовых шкафов и радиаторов отопления, а также на расстоянии не менее 5 см от электрических духовок.
- Если холодильник находится рядом с морозильным аппаратом для низкотемпературного замораживания, между ними должен оставаться зазор не менее 2 см, чтобы на внешней поверхности не образовывалась влага.
- Не ставьте на холодильник тяжелые предметы.
- Тщательно очистите холодильник перед использованием, особенно внутри (см. Раздел «Чистка и обслуживание»).
- Порядок установки в кухонный гарнитур приводится в Руководстве по установке. Данный прибор можно использовать только в соответствующих кухонных гарнитурах.
- Перед использованием холодильника протрите все детали теплой водой с добавлением чайной ложки бикарбоната натрия, а затем промойте чистой водой и дайте высохнуть. После очистки установите все детали на соответствующие места.



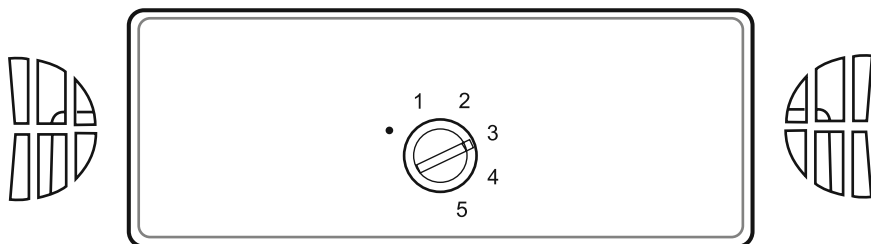
Перед использованием холодильника

- Если холодильник используется в первый раз или после транспортировки, он должен простоять в вертикальном положении в течение 3 часов, после чего его можно подключать к электрической сети. В противном случае, может быть поврежден компрессор.
- От холодильника может исходить запах, когда он запускается в первый раз; запах исчезнет, когда холодильник начнет охлаждаться.



ЧАСТЬ 2. КАК ПОЛЬЗОВАТЬСЯ ИЗДЕЛИЕМ

Настройка термостата



Термостат автоматически регулирует температуру внутри холодильника. Путем изменения позиции ручки с положения 1 до 5 можно получить более низкие значения температуры.

Важное примечание: Не поворачивайте ручку за положение 1. Так вы остановите работу прибора.

- Для кратковременного хранения продуктов в холодильнике можно установить ручку в положение между минимальным и средним (1-3).
- Для долгосрочного хранения продуктов в холодильнике можно установить ручку в среднее положение. (3-4)
- Отметьте, что на температуру в холодильнике влияет температура окружающей среды, температура свежих продуктов, помещаемых в холодильник и то, как часто открывается дверца. При необходимости измените настройки температуры.
- В идеальном варианте при первом включении прибора нужно, чтобы он в течение 24 часов проработал без продуктов и открытия дверцы. Если необходимо использовать его сразу, старайтесь не загружать холодильник чрезмерно.
- Если устройство выключено или отсоединено от сети, следует подождать как минимум 5 минут перед повторным включением во избежание повреждения компрессора.
- Продуктовые шкафы (холодильные камеры) не имеют морозильного отделения, но могут охлаждать до 4–6 °С.

ЧАСТЬ 3.

ХРАНЕНИЕ ПРОДУКТОВ В ХОЛОДИЛЬНОМ ШКАФУ

Холодильник используется для хранения свежих продуктов в течение нескольких дней.

- Размещайте продукты таким образом, чтобы они не соприкасались с задней стенкой холодильника. Оставьте место вокруг продуктов для циркуляции воздуха.
- Не ставьте в холодильник горячую еду или испаряющуюся жидкость.
- Всегда храните продукты в закрытом контейнере или обертке.
- Для снижения влажности и во избежание образования льда никогда не ставьте в холодильник жидкости в открытых емкостях.
- Все виды мяса в упаковке рекомендуется хранить на стеклянной полке над контейнером для овощей, где воздух холоднее.
- Фрукты и овощи можно поместить в соответствующий контейнер без упаковки.
- Чтобы не выпускать холодный воздух, старайтесь не открывать дверцу слишком часто и не оставляйте ее открытой на длительное время.

ЧАСТЬ 4.

ЧИСТКА И ОБСЛУЖИВАНИЕ

- Перед чисткой отсоедините прибор от электрической сети.



- Не мойте холодильник в проточной воде.



- Холодильник нужно очищать периодически с применением раствора пищевой соды и теплой воды.



- Внутреннюю и внешнюю поверхности можно протереть мягкой тканью или губкой, смоченной в теплой мыльной воде.



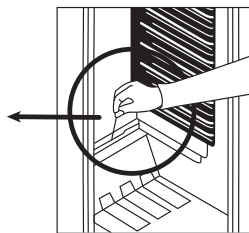
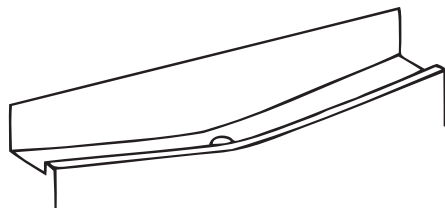
- Принадлежности промывайте отдельно водой с мылом. Не мойте их в посудомоечной машине.



- Не используйте абразивные вещества, растворители или мыло. После мытья ополосните принадлежности чистой водой и тщательно высушите. По окончании чистки снова подключите холодильник к сети питания сухими руками.



Размораживание холодильника



- Размораживание происходит автоматически в холодильнике в процессе работы; талая вода собирается испаряющей емкостью и испаряется автоматически.
- Дренажное отверстие для талой воды должны периодически очищаться шнуром размораживающего отверстия во избежание скопления воды на дне холодильника и ее вытекания.
- Вы также можете вылить $\frac{1}{2}$ стакана воды в дренажное отверстие для внутренней очистки.

Замена лампочки

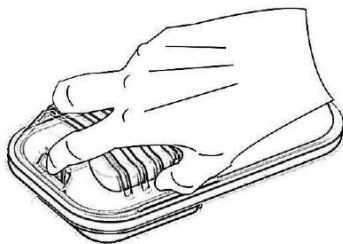


Рисунок 1

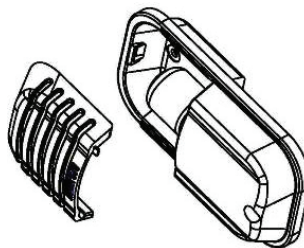


Рисунок 2

При замене лампочки холодильной камеры;

1. Отсоедините холодильник от сети питания.
2. Нажмите на крючок на передней части крышки лампы, как показано на Рисунке 1, и снимите крышку лампы.
3. Замените лампочку новой лампочкой мощностью не более 15 Вт.
4. Установите крышку плафона и через 5 минут включите холодильник в сеть.

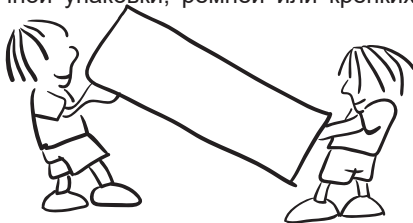
Замена светодиодной подсветки

Если ваш холодильник оснащен светодиодной подсветкой, обратитесь в техническую службу, т.к. она может быть заменена только уполномоченным специалистом.

ЧАСТЬ 5. ТРАНСПОРТИРОВКА И ПЕРЕСТАНОВКА

Транспортировка и перестановка холодильника

- Оригинальную упаковку и пенопласт можно использовать для повторной транспортировки (по желанию).
- Зафиксируйте холодильник с помощью прочной упаковки, ремней или крепких веревок. Следуйте инструкциям по транспортировке на упаковке.
- На время перестановки или транспортировки снимите подвижные детали (полки, принадлежности, контейнеры для овощей и т. д.) или зафиксируйте их в холодильнике ремнями, чтобы избежать ударов.



ЧАСТЬ 6. ПРЕЖДЕ ЧЕМ ЗВОНИТЬ В СЛУЖБУ ПОСЛЕПРОДАЖНОГО ОБСЛУЖИВАНИЯ

Если холодильник работает со сбоями, неисправность может быть незначительной, поэтому проверьте следующее.

Холодильник не работает,

Проверьте следующее;

- Произошел сбой в подаче электроэнергии,
- Сетевой штепсель вставлен неправильно или неплотно
- Термостат установлен в положение «•»;
- Розетка имеет дефект. чтобы это проверить, включите в эту розетку другой заведомо исправный электроприбор.

Холодильник работает ненадлежащим образом;

Проверьте следующее;

- Устройство не перегружено,
- Дверь закрыта неплотно,
- На кухне недостаточно вентиляционных каналов, как указано в Руководстве по установке.

В случае наличия шума;

Охлаждающий газ, который циркулирует в холодильном контуре, может издавать незначительный шум (булькающий звук) даже при неработающем компрессоре. Не беспокойтесь, это вполне нормально. Если звуки носят другой характер, проверьте следующее;

- Прибор установлен устойчиво в соответствии с руководством по установке.
- Вибрируют предметы, стоящие на холодильнике.

Если в нижней части холодильника скапливается вода;

Проверьте следующее;

Дренажное отверстие для талой воды засорилось (используйте дренажный шнур размораживания для чистки дренажного отверстия)

Если холодильник недостаточно охлаждает;

Холодильник предназначен для эксплуатации в диапазоне температур окружающей среды, указанном в стандартах, согласно климатическому классу на этикетке. Мы не рекомендуем использовать холодильник за пределами указанного диапазона в целях эффективности охлаждения.

Это оборудование предназначено для эксплуатации при диапазоне внешних температур 10°C - 32°C.

Климатический класс	Температура окружающей среды °C
T	Между 16 и 43 (°C)
ST	Между 16 и 38 (°C)
N	Между 16 и 32 (°C)
SN	Между 10 и 32 (°C)

Рекомендации

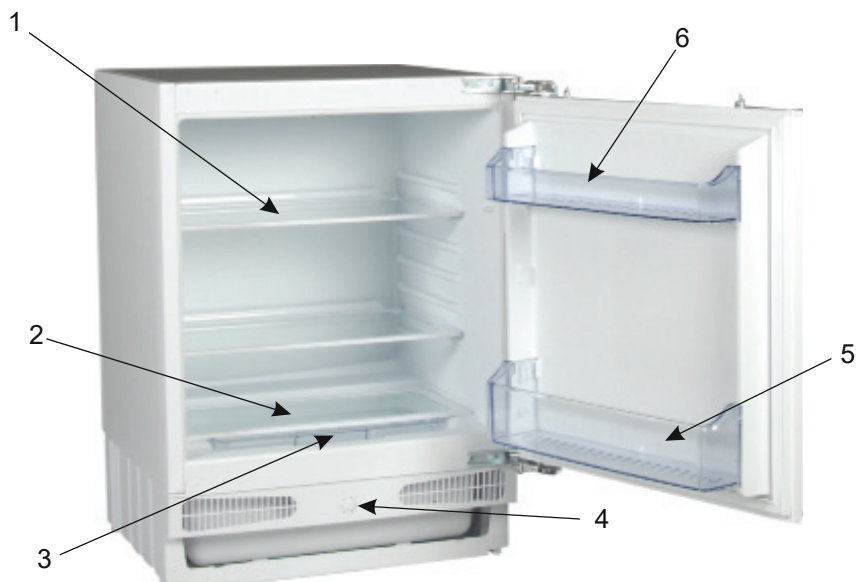
- При отключении электроэнергии следует отсоединять холодильник от сети питания во избежание проблем с компрессором. После возобновления подачи питания подождите 5-10 минут, а потом включите холодильник в розетку.
- Если по какой-либо причине вы отключили холодильник от сети, включите его не менее чем через 5 минут. Это нужно для предотвращения повреждения компонентов холодильника.
- Блок охлаждения скрыт в задней стенке холодильника. Поэтому на задней стенке холодильника могут образовываться капли воды или иней из-за работы компрессора с определенными интервалами. Это нормально. Нет никакой потребности в размораживании, если только накопление инея не чрезмерно.
- Если вы не будете использовать холодильник в течение длительного времени (например, на период летнего отдыха), установите термостат в положение «*». После размораживания помойте холодильник и оставьте дверцу открытой, чтобы предотвратить появления влажности и неприятного запаха.
- Если после того, как вы выполнили все приведенные выше инструкции, проблема не исчезнет, обратитесь в ближайшую авторизованную сервисную службу.
- Приобретенный вами прибор предназначен для использования в помещениях жилого типа и может использоваться только в домашних условиях и для заявленных целей. Он не подходит для коммерческого или общего пользования. Если потребитель использует прибор несоответствующим образом, мы подчеркиваем, что производитель и дилер не несут ответственности за любой ремонт и неисправности в период действия гарантии.
- Срок службы прибора, указанный и заявленный Департаментом промышленности, (срок эксплуатации ответственных деталей, необходимых для нормальной работы прибора) составляет 10 лет.

Рекомендации по энергосбережению

1. Устанавливайте прибор в прохладном, хорошо проветриваемом помещении, в месте, не подвергающемся воздействию прямых солнечных лучей, вдали от источников тепла (радиатора, печи и т. п.). В противном случае воспользуйтесь теплоизоляционной плитой.
2. Горячие блюда и напитки следует остужать за пределами холодильника.
3. Помещенные в холодильник напитки и жидкие продукты должны быть закрыты. В противном случае увеличится влажность в холодильнике. В результате время охлаждения увеличится. Кроме того, закрывая напитки и жидкие продукты, вы сохраняете их вкус и запах.
4. Помещая напитки и продукты питания, открывайте дверь на максимально короткое время.
5. Крышки отделений холодильника, имеющих различную температуру (контейнера для фруктов и овощей, охладителя и т.д.), должны быть закрыты.
6. Уплотнение дверцы должно быть чистым и гибким. Если уплотнение износилось, замените его.

ЧАСТЬ 7.

КОМПОНЕНТЫ ХОЛОДИЛЬНОГО ШКАФА И ЕГО ОТДЕЛЕНИЙ



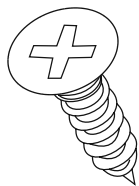
Эта презентация призвана информировать вас о деталях и узлах вашего холодильника.

Детали и узлы могут различаться в зависимости от модели прибора.

- 1) Полки холодильника
- 2) Крышка контейнера для фруктов и овощей
- 3) Контейнер для фруктов и овощей
- 4) Ручка термостата
- 5) Дверные полки
- 6) Подставка для яиц

Инструкции по установке

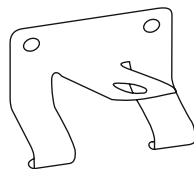
Содержимое комплекта для установки



1. Шуруп x17



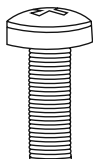
2. Дверная подвеска



3. Нижние фиксирующие рейки для двери x2



4. Крышка подвески

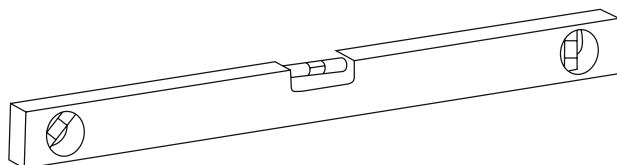


5. Винт

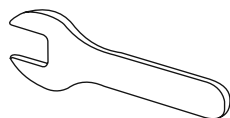


6. Верхний кронштейн

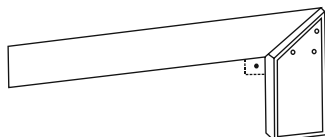
Необходимые инструменты



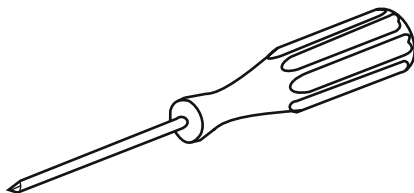
7. Спиртовой уровень



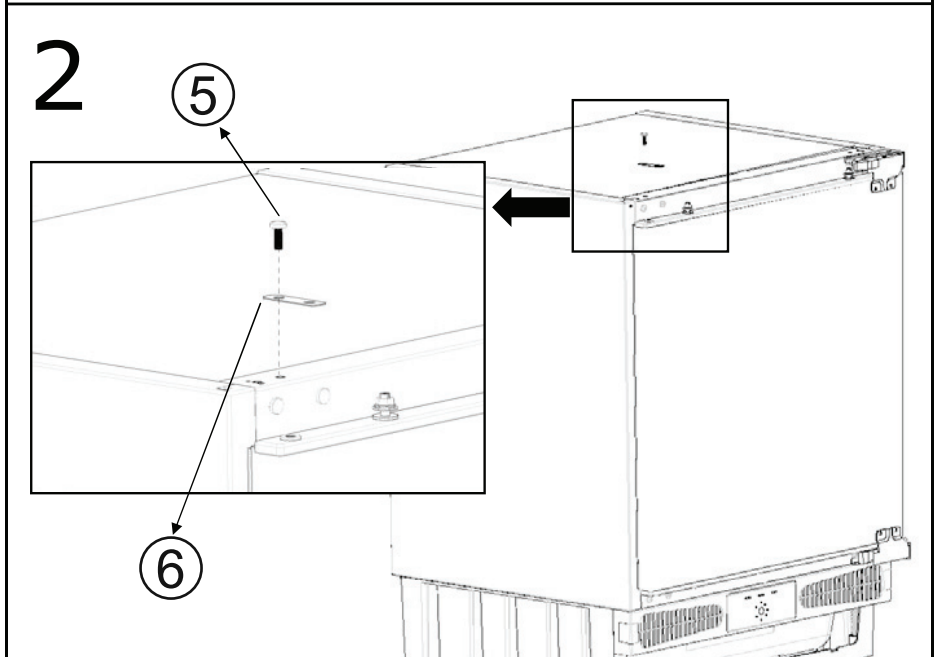
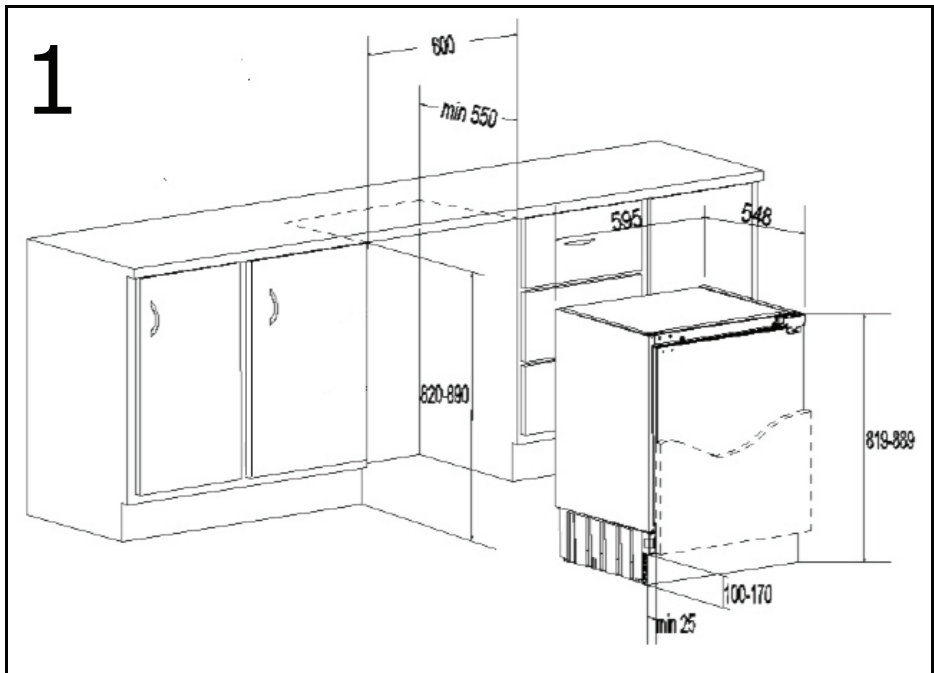
8. Гаечный ключ



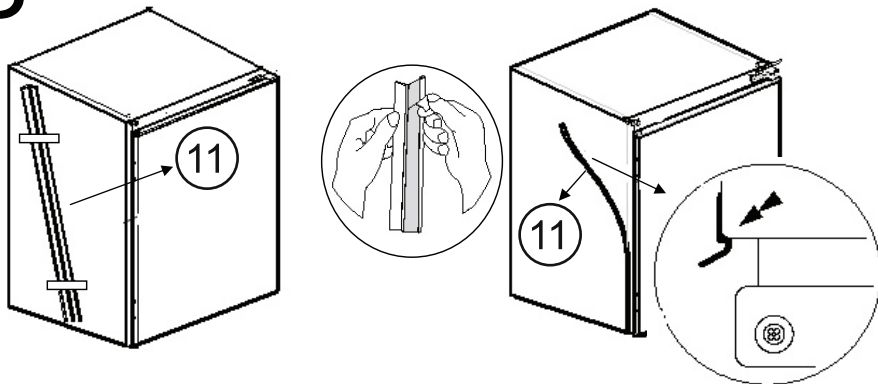
9. Чертежный угольник



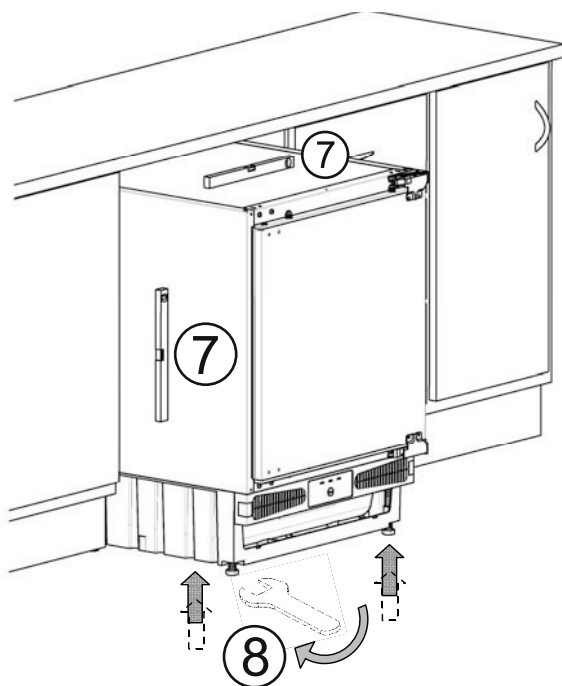
10. Отвертка



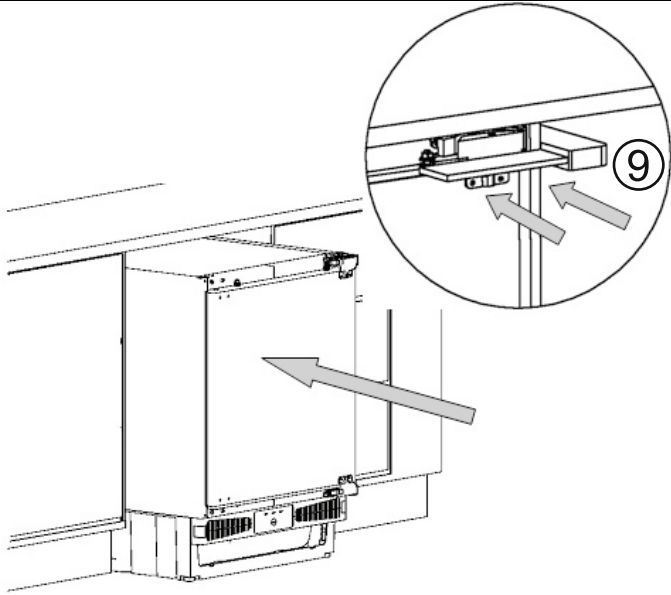
3



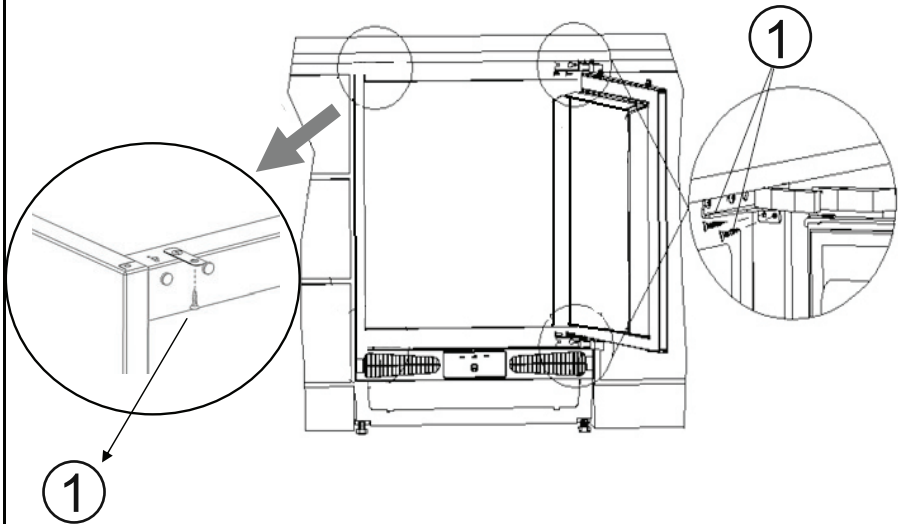
4



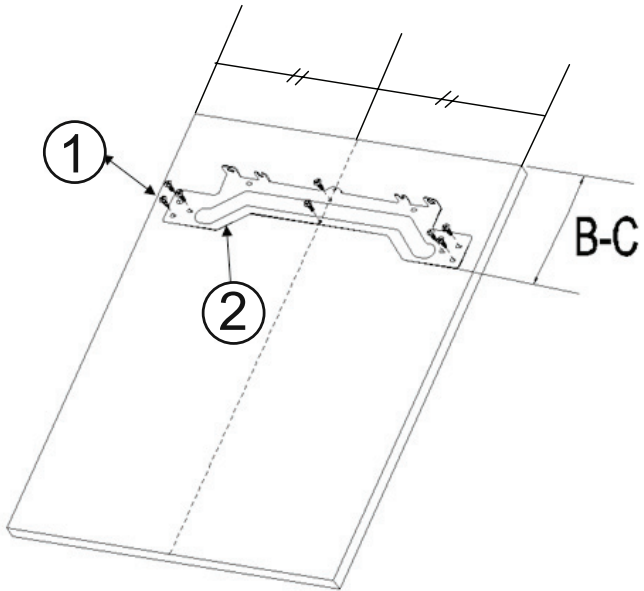
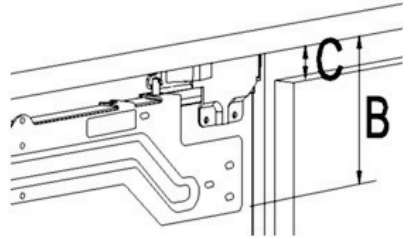
5



6

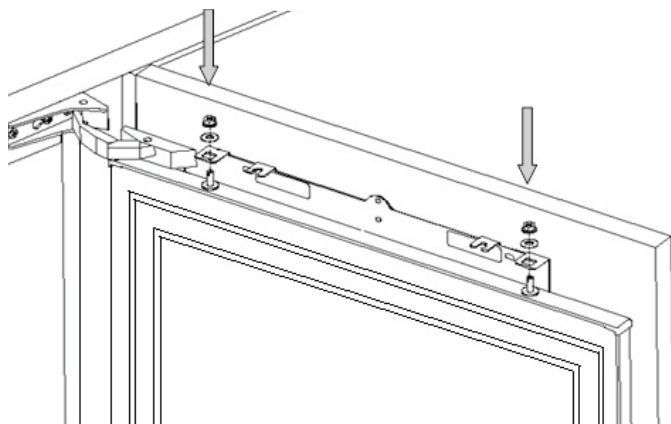


7

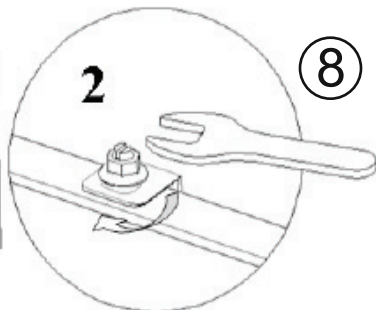
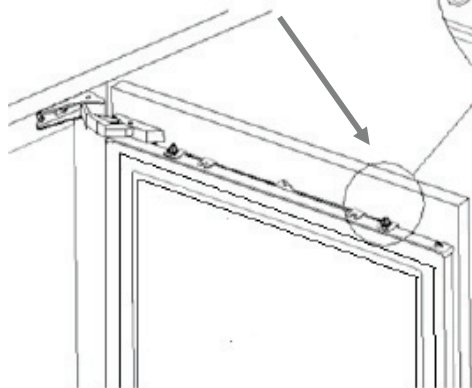
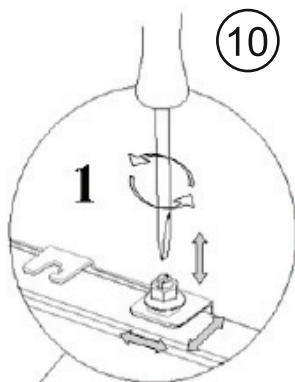
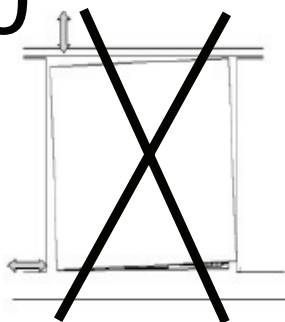


8

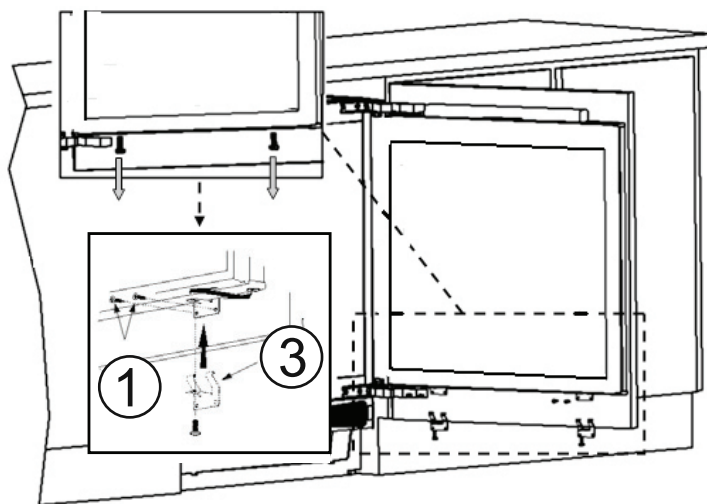
9



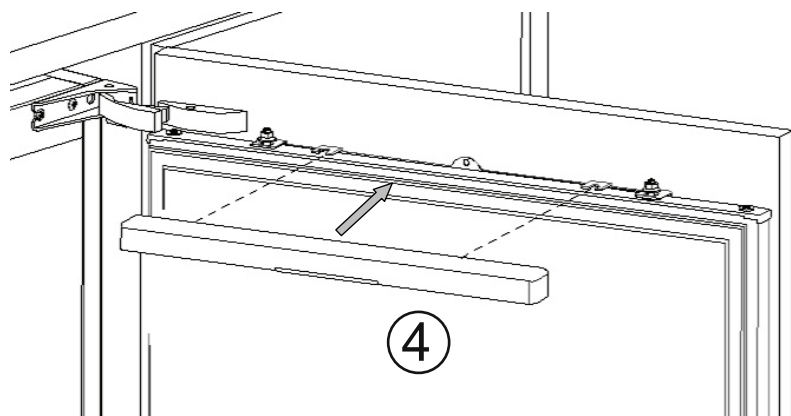
10



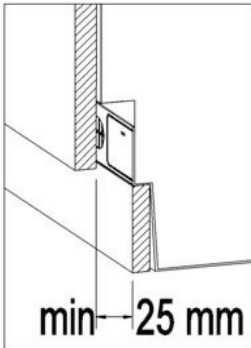
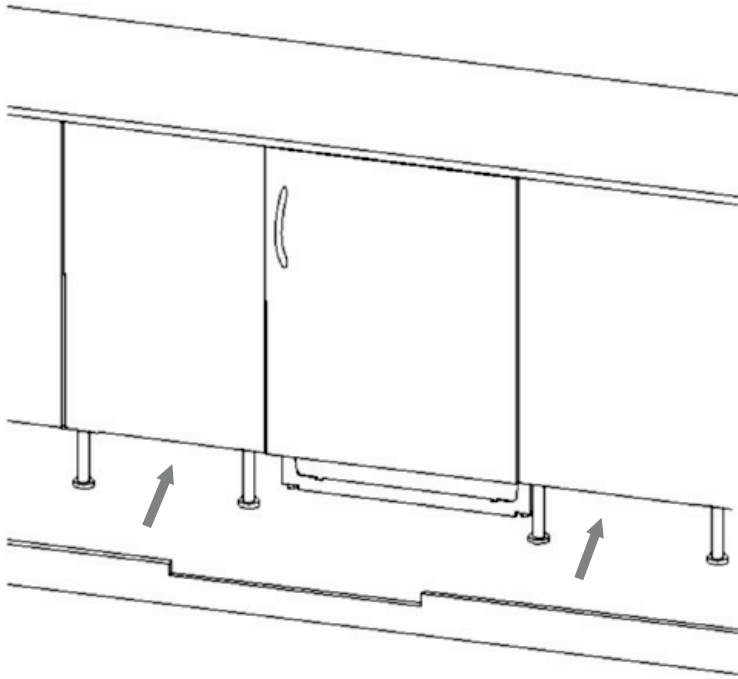
11



12



13



Импортер ООО «Вестел - СНГ» 601655 г. Александров
Владимирская обл., ул. Гагарина д.16
Тел: (495) 980 50 43 Факс: (49244) 6 91 68

Произведено в Турции «Вестель Беяз Ешья Санайи, Ве Тиджарет А.С.»
Адрес: Организе Санайи Болгеси
45030 Маниса / ТУРЦИЯ
Тел: (+90) 236 226 30 00 Факс (+90) 236 226 32 15

Made in Turkey Vestel Beyaz Esya San, Ve Tic A.S.
Adress: Organize Sanayi Bolgesi
45030 Manisa / TURKEY
Tel: (+90) 236 226 30 00 FAX (+90) 236 226 32 15



Дата изготовления указана в этикетке размещенной на устройстве.



52239248