



User Manual
РУКОВОДСТВО ПО ЭКСПЛУАТАЦИИ

MBIM193.3D

EN FRIDGE-FREEZER

RU ВСТРАИВАЕМЫЙ
ХОЛОДИЛЬНИК



English	3
Русский	22

Important notices 4

Storage instruction 8

Control panel..... 10

Care and Cleaning..... 10

Trouble-shooting..... 11

Installation view 12

Installation Guide..... 15

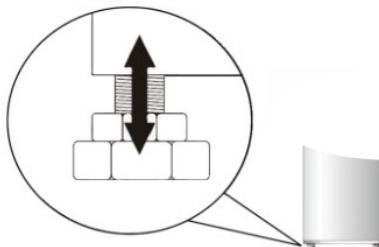
Important notices

- Some provisions in this user manual are unified for refrigerating products of different types (for a refrigerator, refrigerator-freezer or freezer)
 - The Manufacturer shall not be held liable for damage arising from the failure to observe the instructions contained in this manual.
 - Keep this manual for future reference, or to pass it over to the next user.
 - This appliance is not intended for use by persons (including children) with limited physical or mental capabilities and persons who lack experience or familiarity with the appliance.
 - Do not allow unattended children to use the appliance. Do not allow them to play with the appliance. They must not climb inside the drawers and swing on the doors.
 - The appliance operates properly at the ambient temperature (see product fiche). Do not use it in the cellar, unheated summer cottage during autumn and winter.
 - When placing, moving, lifting the appliance, do not hold the door handles, do not pull the condenser at the rear part of the refrigerator and do not touch the compressor unit.
 - When transporting, moving or positioning the fridge-freezer do not tilt it by more than 40° from the vertical position. Should such a situation occur, the appliance should be switched on after minimum 2 hours from its replacement in the right position.
 - Pull the plug out from the mains socket before each maintenance activity. Do not pull on the cord, but hold the body of the plug instead.
 - The “cracking” sound, which the appliance may emit is caused by the expansion and contraction of parts as a result of temperature variations.
 - For safety reasons do not repair the appliance yourself. Repairs carried out by persons who do not have the required qualifications may result in serious danger for the user of the appliance.
 - Air the room in which the appliance is placed for a few minutes (the size of the room for a product containing isobutane/R600a must be at least 4m³) to avoid damage to the cooling system.
 - Do not refreeze partly thawed products.
 - Do not store beverages in bottles and cans, especially carbonated beverages, in the freezer chamber. The cans and the bottles may explode.
 - Do not put frozen products, taken out directly from the freezer (lollies, ice cubes, etc.) into your mouth, their low temperature may cause severe frost-bite.
 - Make sure you do not damage the cooling system, by puncturing the refrigerant pipes in the evaporator or breaking the pipes. The refrigerant is flammable. If the refrigerant makes contact with the eyes, rinse them with clean water and call for medical assistance immediately.
- Type Y attachment statement: If the supply cord is damaged, it must be replaced by the manufacturer, its service agent or similarly qualified persons in order to avoid a hazard.

- If the power wire gets broken, it should be replaced with a new one in a specialist repair shop.
- This appliance is intended for food storage, do not use it for other purposes.
- When performing activities, such as cleaning, maintenance or moving, the appliance must be completely disconnected from power supply (by pulling the plug out from the socket)
- This appliance can be used by children aged 8 years and older or by persons with physical, mental or sensory handicaps, or by those who are inexperienced or unfamiliar with the appliance, provided they are supervised or have been instructed how to safely use the appliance and are familiar with risks associated with the use of the appliance. Ensure that children do not play with the appliance. Cleaning and maintenance of the appliance should not be performed by children unless they are 8 years or older and are supervised by a competent person.
- In case of replace spare parts, please do call customer service to seeking advice.

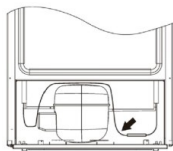
Installation before using the appliance for the first time

- Take the product out of the package, remove the scotch tape protecting the door and the equipment. Any remaining adhesive stains may be removed with a mild washing agent.
- Do not throw away the polystyrene elements of the packaging. If it is necessary to transport the fridge- freezer, pack it in the polystyrene elements and film as well as protecting it with scotch tape
- Clean the interior surface of the fridge-freezer and the elements of the equipment with a washing agent dissolved in lukewarm water, then wipe it dry.
- Place the fridge-freezer on an even, flat and stable surface, in dry, aired and shaded room, far from the heat sources such as: oven, hob, central heating radiators, central heating pipes, hot water installation, etc.
- On the exterior surface of the product may be a protective foil, this foils should be removed.
- Ensure adequate ventilation of the room and free air circulation from all sides of the appliance.
- Make sure the appliance is placed in a horizontal position by screwing in the 2 adjustable front legs.



Minimum distances from the heat sources

- From the electric gas and other ovens — 30 mm.
- From oil or coal fired ovens — 300 mm.
- From built-in ovens — 50 mm.
- If there is no possibility of ensuring the above- mentioned distances, provide an appropriate insulation board.
- The rear wall of the refrigerator, in particular, the condenser and other elements of the cooling system must not contact other elements, which may damage them, (e.g. central heating pipes and the water supply pipes).
- It is forbidden to readjust or modify any parts of the unit. It is crucial not to damage the capillary tube visible in the compressor recess. The tube may not be bent, straightened or wound.
- In some models the handle is put into the appliance, You should screw it with Your own screwdriver.
- If the capillary tube is damaged by the user the guarantee will be avoid.



Mains connection

- This appliance should be connected to AC 220-240 V 50 Hz supply socket. The socket must be fitted properly, and must be supplied with an earthing conduit and a 10A fuse.
- It is a legal requirement that the appliance is properly earthed. The manufacturer will not be held liable for any damage or injury which may result from the failure to fulfil this requirement.
- Do not use adapters, multiple sockets and two-wire extension leads. If it is necessary to use the extension lead, it must be equipped with a protection ring and a single socket and must have a VDE/GS safety certificate.
- If an extension lead is used (with a protection ring and safety certificate), its socket must be located at a safe distance, away from the sinks, and must not be in a place where it could be flooded by water or waste water.
- See the type plate at the lower part of the internal wall of the appliance for detailed specifications**.

Disconnecting the mains

- Make sure the appliance can be easily disconnected from the mains, either by pulling the plug out of the mains socket, or by switching the two-pole switch off.

Before first use

You must allow the fridge to settle for at least four **24 hours** prior to switching the power on.

It is recommended that you clean the interior of the appliance prior to first use, using a solution of bicarbonate of soda and warm water and then thoroughly drying the interior. The fridge may have an odor to it at first use. This will disappear as the appliance cools.



Attention

The appliance will start 5 °C for fridge and –18 °C for freezer and work continuously until it comes down to the correct temperature. If the appliance is switched off, you should allow five minutes before switching it on again to prevent unnecessary damage to the compressor. Never store inflammable or explosive items and strong corrosive acids or alkalis in the appliance. This fridge cools your food by making the inside back of the cavity cold. It is normal for frost to build up on this surface; it then dissipates and drains through a small drain at the bottom, where it evaporates harmlessly. The presence of frosting at the back is not a malfunction of the fridge.

Fridge use

- Never put liquids in the refrigerator uncovered.
- Never put hot foods in the refrigerator. Warm food should be allowed to cool to room temperature before being put into the refrigerator.
- Nothing should rest against the rear wall of the refrigerator, as this will cause frost and possible condensation problems which will be difficult to remove.
- Make sure food is clean and any extra water is wiped away before putting into the fridge.
- Wrap or cover food before putting into the fridge. This will help prevent the loss of moisture, keep food fresh and avoid unpleasant odors.
- Sort foods prior to storing. Any foods to be used soon should be stored at the front of the shelf to prevent deterioration caused by the door being open for prolonged periods.
- Do not overfill the fridge. There should be sufficient space between the foods to allow the cool air to circulate.
- Thawing frozen foods in the fridge compartment will help to keep the temperature low and save energy.
- Never store raw meats on shelves above cooked meats or other produce. This will help to prevent juices from raw meat contaminating other foodstuffs.

Freezer use

- The freezer compartments are designed to store only frozen food.
- Never put hot or warm foods in the freezer, allow them to cool fully before putting them into the freezer.
- Follow the instructions on the food packaging for storage of frozen food. If no information is provided, foods should not be stored for more than three months after the purchase date.

Storage instruction

- Store food in small packages (ideally less than 1kg). This reduces the freezing time and improves the quality of the food after thawing.
- Wrap food before putting into the freezer. To stop the wrapping sticking together, ensure it is dry.
- Label the food before freezing with information including type of food and dates of storage and expiry.
- Once food is thawed, it must not be refrozen. Only defrost as much food as is required to prevent wastage.
- Bottled or canned drinks should not be stored in the freezer compartments as they could explode.
- The maximum amount of fresh food that can be frozen within a **24 hour** period is **2.6 kg**.
- Do not attempt to freeze more than the maximum amount.

Storage instruction

Fresh zone

- The fresh zone means that you can control the temp. inside the fresh zone independently.
- Temperature ranges of fresh zone from **-2 °C** to **3 °C**.
- The fresh zone is designed to make it easier to handle ingredients in a short period of time when you have to handle frozen foods.
- Zero-degree biological preservation technology make the refrigerator contain a relatively stable, independent, very close to **-3 °C**, but not less than **-3 °C** fresh-keeping compartment, and maintain the temperature of the fresh zone sequentially ensure that not to frost bite the food, so that the food will not be frozen and keep fresh for a period of time.
- Suggestions for use: It is recommended to store fresh fish, fresh meat and dried fruit in condition of **-2 °C ~ 0 °C**. Put the frozen ingredients into the fresh zone **4-5 hours** before use, you can cut or cook frozen foods effortlessly and enjoy a more modern, faster and healthier cooking experience.
- It is recommended to store vegetables and fruits in condition of **0 °C ~ 3 °C**.



Note

If you want to put easy-drying ingredients such as meat into the zero temperature zone for more than 4 hours, you should use plastic wrap to wrap the ingredients to avoid excessive moisture loss and affect the taste.

Crisper drawer humidity adjustment

- The crisper drawer within this appliance features a humidity level adjustment slider. Vegetables and similar produce that are subject to wilting (e.g. arugula, spinach leaves, herbs such as basil etc.) should be kept in the crisper drawer and the adjustment slider kept closed (fully to the left - high).

By keeping the adjustment slider closed, water vapour is held in the drawer and subsequently greens are kept crisper and fresher for longer.

– By contrast, fruits that are susceptible to rotting should be stored in the crisper drawer with the humidity adjustment slider fully open (to the right — low). This will allow gases, emitted by certain produce and that accelerate the rotting process, to exit the crisper drawer.

– The drawer is marked high and low with vegetable and fruit symbols to aid you.

Fridge storage

– Never put liquids in the refrigerator uncovered.

– Never put hot foods in the refrigerator. Warm food should be allowed to cool to room temperature before being put into the refrigerator.

– Nothing should rest against the rear wall of the refrigerator, as this will cause frost and possible condensation problems which will be difficult to remove.

Freezer storage

– The freezer compartments are designed to store only frozen food.

– Never put hot or warm foods in the freezer, allow them to cool fully before putting them into the freezer.

– Follow the instructions on the food packaging for storage of frozen food. If no information is provided, foods should not be stored for more than three months after the purchase date.

– The maximum amount of fresh food that can be frozen within a **24 hour** period is **3.0 kg**.



Note

The fridge shelves can be moved according to the storage requirements within the fridge section. To move the shelf, lift up the rear section and then pull it outwards.

To replace, slide the shelf back into the slot, and then lower the rear section.

WARNINGS:

– Do not use mechanical devices or other means to accelerate the defrosting process, other than those recommended by the manufacturer (IEC 60335-2-24).

– Do not damage the refrigerant circuit. This warning is only applicable for appliances with refrigerating circuits which are accessible by the user (IEC 60335-2-24).

– Do not use electrical appliances inside the food storage compartments of the appliance, unless they are of the type recommended by the manufacturer (IEC 60335-2-24).


– When positioning the appliance, ensure the supply cord is not trapped or damaged.

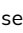
– Do not locate multiple portable socket-outlets or portable power supplies at the rear of the appliance.

Control panel



1. First time of switching on the appliance or re-supply after power failure, the appliance always works at settings : **5 °C** for fridge, and **-18 °C** for freezer. If you want to adjust the temperature or functions manually, press any button to wake up the control panel, then operations can be conducted.

2. Fridge temperature adjustment: –press button  on left part of control panel multiple times to cycle through temperatures from **2 °C** to **8 °C**. Keep pressing the button till the fast cool function is turned on, fridge will work automatically at temperature setting of **2 °C**. Mode expires automatically after **24 hours** operation and illumination of button ceases. Mode can be canceled manually by pressing the button again.

3. Freezer temperature adjustment: –press button  on right part of control panel multiple times to cycle through temperatures from **-16 °C** to **-22 °C**. Keep pressing the button to activate fast freeze function, the freezer will operate at temperature setting **-25 °C**. After **24 hours**, fast freezing function quits automatically, or can be ended manually at any time by pressing the button again.

The product has a no frost system which is designed to prevent the heavy build up of ice. Under normal use, there should be no need to regularly defrost the freezer system.

Note

If you are regularly finding a heavy build up of ice, or pools of water, in the freezer section then it is likely that the door is not sealing properly. This could be due to a defective door seal or an incorrectly fitted, or overly heavy, decor door. For more information see the troubleshooting section on ice.

Care and Cleaning

Always disconnect the appliance from the power supply before any cleaning or maintenance.

The fridge and freezer sections should be cleaned using a solution of bicarbonate of soda and lukewarm water. Do not use abrasive products or detergents. After washing, rinse and dry thoroughly.

Clean the shelves and balconies separately by hand with a mild solution of washing up liquid and water. Do not put them in the dishwasher.

If the appliance is not to be used for prolonged periods of time, unplug and clean the appliance. The doors should be left slightly ajar to prevent the formation of mildew and unpleasant odors.

Trouble-shooting

If you have any problems with your appliance, you should check the troubleshooting prior to calling Customer Care.

If the appliance is not working, check:

- That there is power to the appliance.
- The house fuses are intact and the fuse in the plug has not blown.
- The fridge has not been turned off.
- The plug socket is functioning fine. To check this, plug another electrical appliance in to see if the socket is faulty.

If the appliance is working, but not very well, check:

- The appliance is not overloaded.
- The thermostat is set to an appropriate temperature.
- The doors are closing properly.
- The cooling system at the rear of the appliance is clean and free of dust, and not touching the rear wall.
- There is enough ventilation at the side and rear walls.

If the appliance is noisy, check:

- The appliance is level and stable.
- The side and rear walls are clear, and there is nothing resting on the appliance.



Note

The cooling gas in the refrigerator may make a slight bubbling or gurgling noise, even when the compressor is not running.

If the appliance is beeping, check:

- That the doors are closed. An alarm will sound after 60 seconds of a door being open.

If ice has formed on the back wall of the fridge:

- It is normal for some ice droplets to form on the back wall of the fridge. This does not constitute a fault with the appliance.
- Ensure that no items inside the fridge are in contact with the back wall.
- Check that there is some resistance when opening the door of the appliance. If it opens at the slightest touch it may mean that the door seal needs to be replaced.
- Check the door seal for any kinks, debris or damage. If you notice any, and are unable to resolve the issue yourself, contact Customer Care so that the seal can be replaced.
- This can be due to the décor door(s) not being properly fitted. If you are at all unsure, ask your fitter to check the décor doors.

Installation view

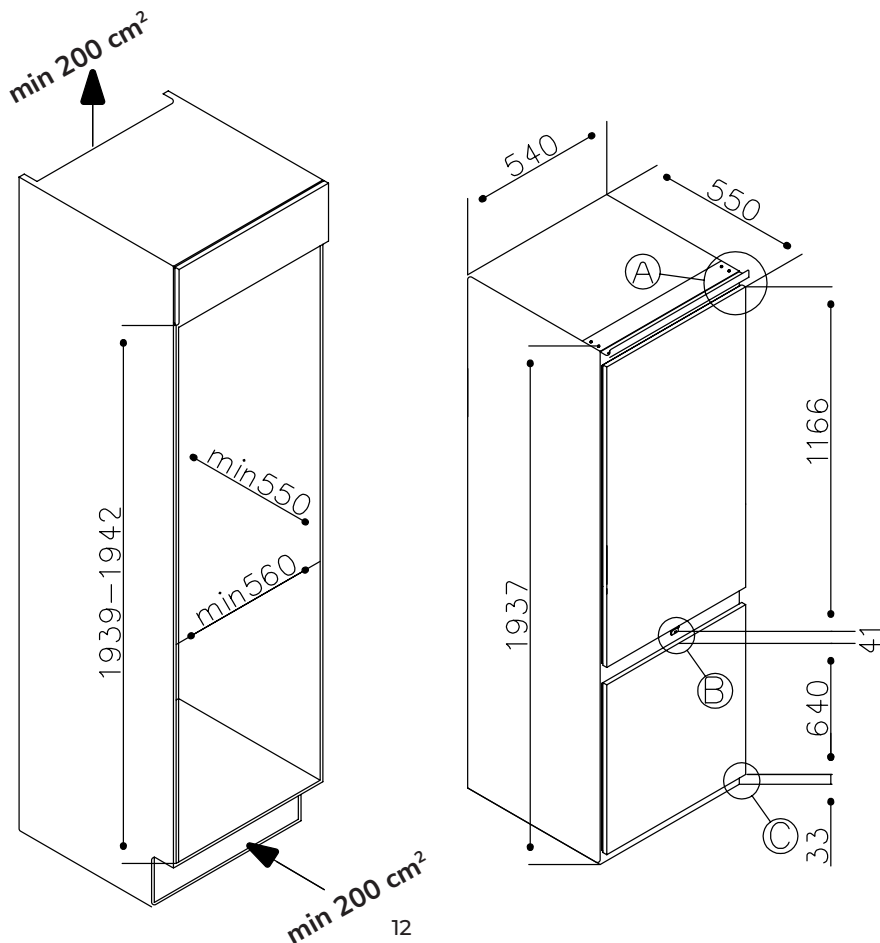
If excessive ice has formed in the freezer:

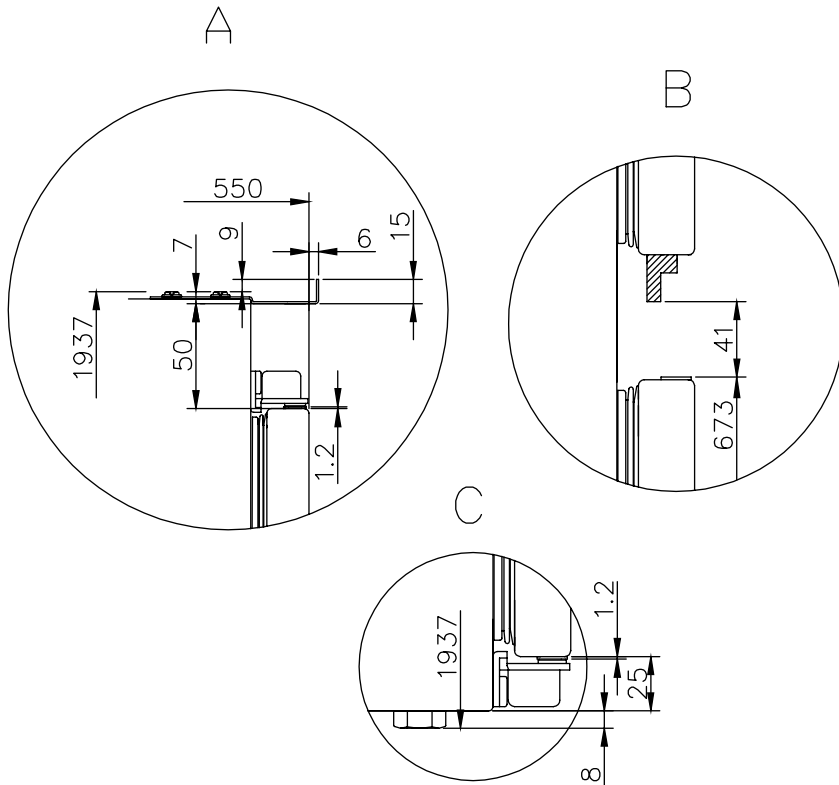
- Check that there is some resistance when opening the door of the appliance. If it opens at the slightest touch it may mean that the door seal needs to be replaced.
- Check the door seal for any kinks, debris or damage. If you notice any, and are unable to resolve the issue yourself, contact Customer Care so that the seal can be replaced.
- This can be due to the decor door(s) not being properly fitted. If you are at all unsure, ask your fitter to check the decor doors.

If one or more of the LED units within the appliance is not working:

- Contact Customer Care to arrange a service visit.

Installation view

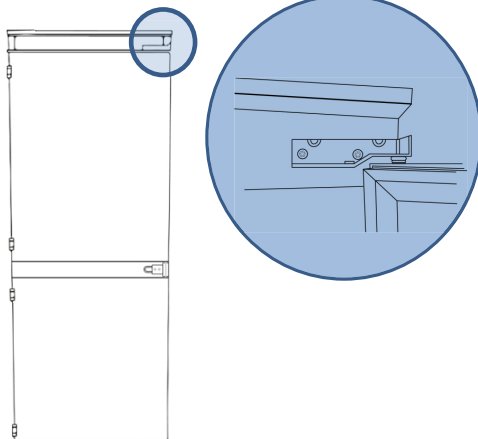




Change the opening direction of your product 1/3

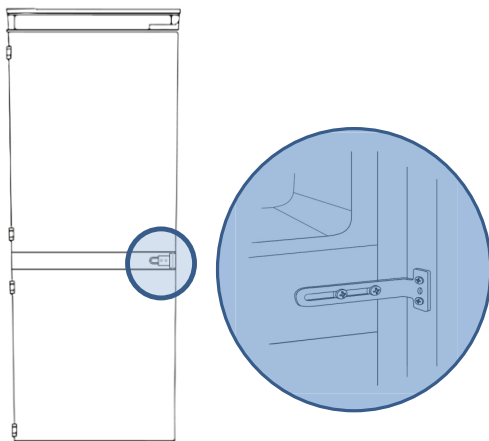
1. Carefully prise off the cover cap for the top hinge and unscrew the screws fixing the top hinge to the appliance, you should support the upper door whilst doing this.

2. Carefully remove the upper door and place it somewhere safe. Note that there are spacers between the door and the hinge; note how many and their position.



3. Remove the central hinge by removing the screws fixing it to the appliance; support the lower door whilst doing this.

4. Remove the lower door and place it somewhere safe, again noting the position of any spacer pieces.



Change the opening direction of your product 2/3

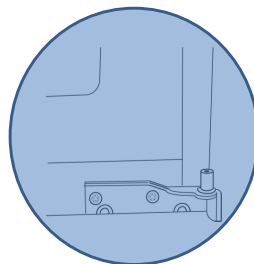
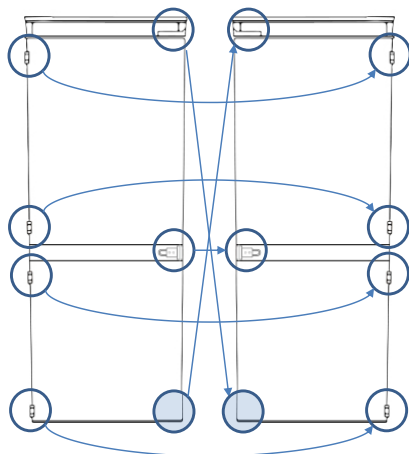
5. Swap the previous top hinge to the opposite side at the bottom.

6. Refit the lower door using any spacers and position the central hinge on the door. After removing the 3 cover caps, fix the hinge securely to the appliance.

7. Swap the previous bottom hinge to the opposite side at the top. Refit the upper door and the “new” top hinge and fix securely to the appliance.

8. Fit the central cover caps and top hinge cover pieces in place to complete the process.

9. Unscrew all four slider brackets from the doors and swap them over to the side furthest from the new hinge positions, before the décor door is fitted.



Installation Guide

This appliance must never be installed close to heat sources, e.g. heating elements or cookers, nor in damp places.

Seek the help of another individual, or two, when installing this appliance. This appliance may have sharp edges. Wear adequate PPE for the task and environment.

To ensure the appliance is level, you should use the height adjustable feet at the front of the appliance.

The cooling system at the rear of the appliance must not touch the rear wall.

The greater the gap, the better.

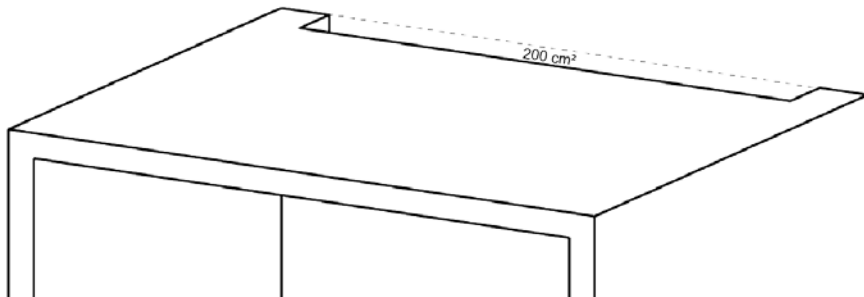
Before the installation, you should provide the inner dimension of your cabinet to your supplier and see whether your product can be installed into your cabinet or not.

Ventilation 1/2

The main consideration when installing any refrigeration unit into a fitted kitchen is ventilation. The heat removed from the Cooling compartment needs to be dissipated into the atmosphere. Incorrect ventilation can lead to premature compressor failure, excessive power consumption, total system failure and may invalidate the warranty provided with the appliance.

For products intended to be installed into a tall housing unit. The following requirements need to be met:

Make a 200 cm² opening for the ventilation.



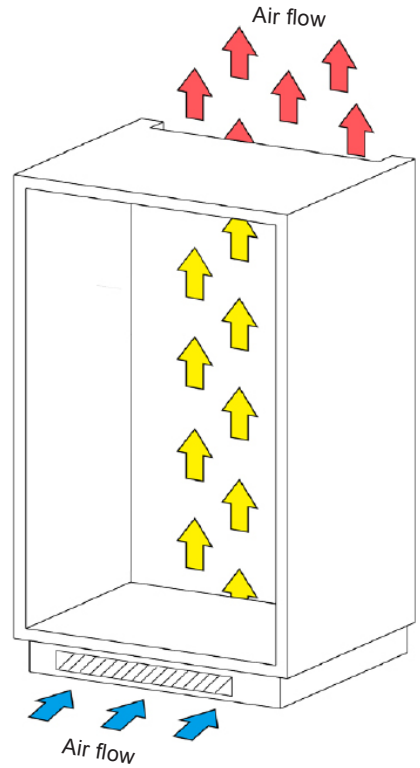
Ventilation 2/2

An air passageway should be provided in the top of the cabinet run to allow free air in and out.

There should be space at the rear of the cabinet to allow cool air to be drawn over the condenser.

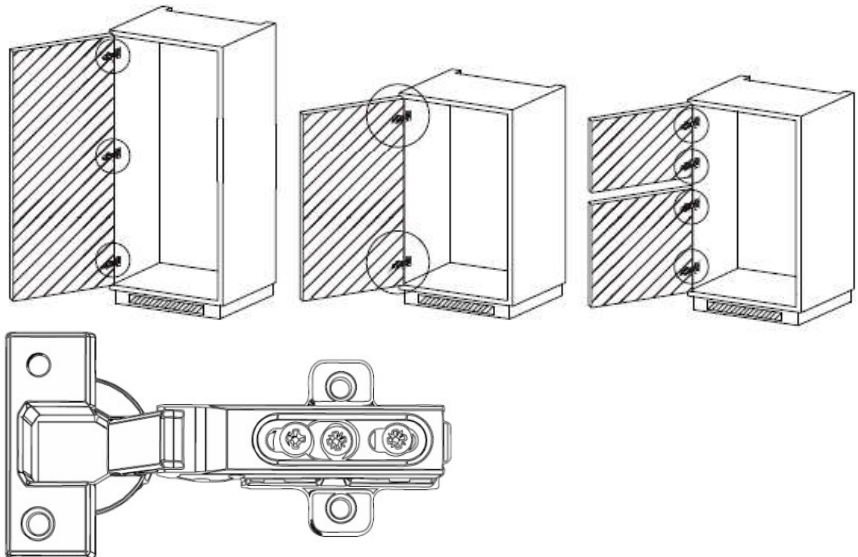
Recommended: 500 x 35 mm.

A cutout should be made in the plinth below the fridge/- freezer and this finished neatly using the air vent grille. Alternatively, a thin section of the plinth can be removed to allow air into the unit (recommended 600 mm x 10 mm)



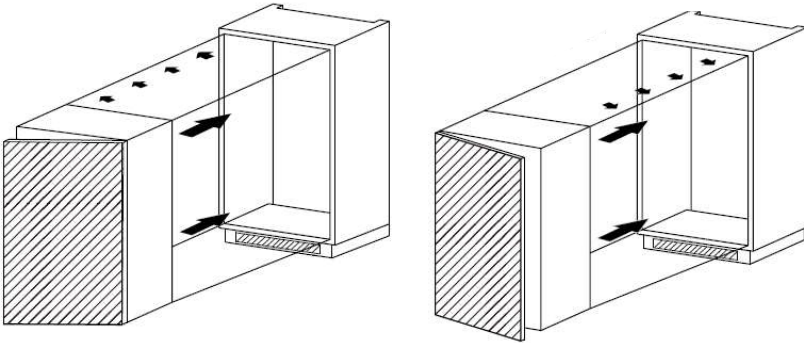
Installation 1/9

1. Install the door hinge well before you put the product into the cabinet.



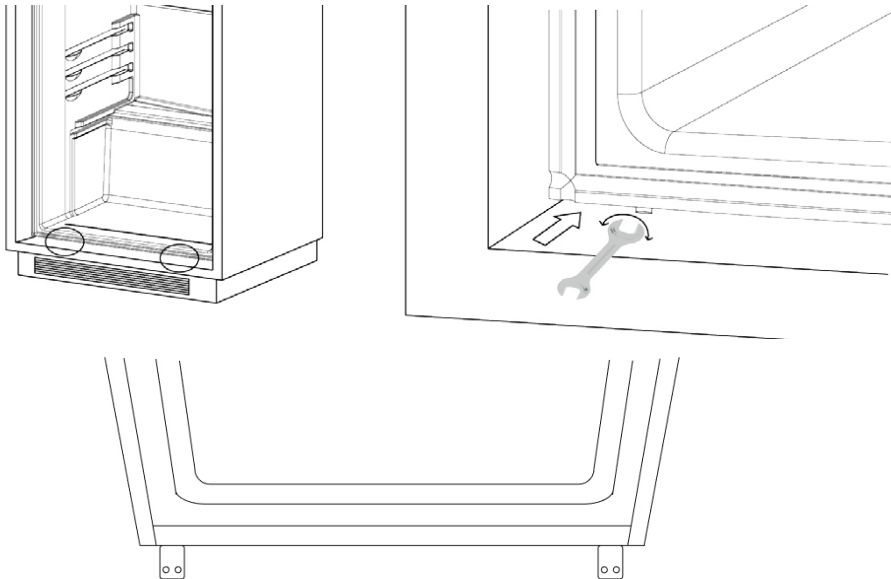
Installation 2/9

2. With the help of another individual, or two, manoeuvre the appliance into the cabinet.



Installation 3/9

3. Use wrench to adjust feet to balance. And check if the cabinet and foot are acclinic.

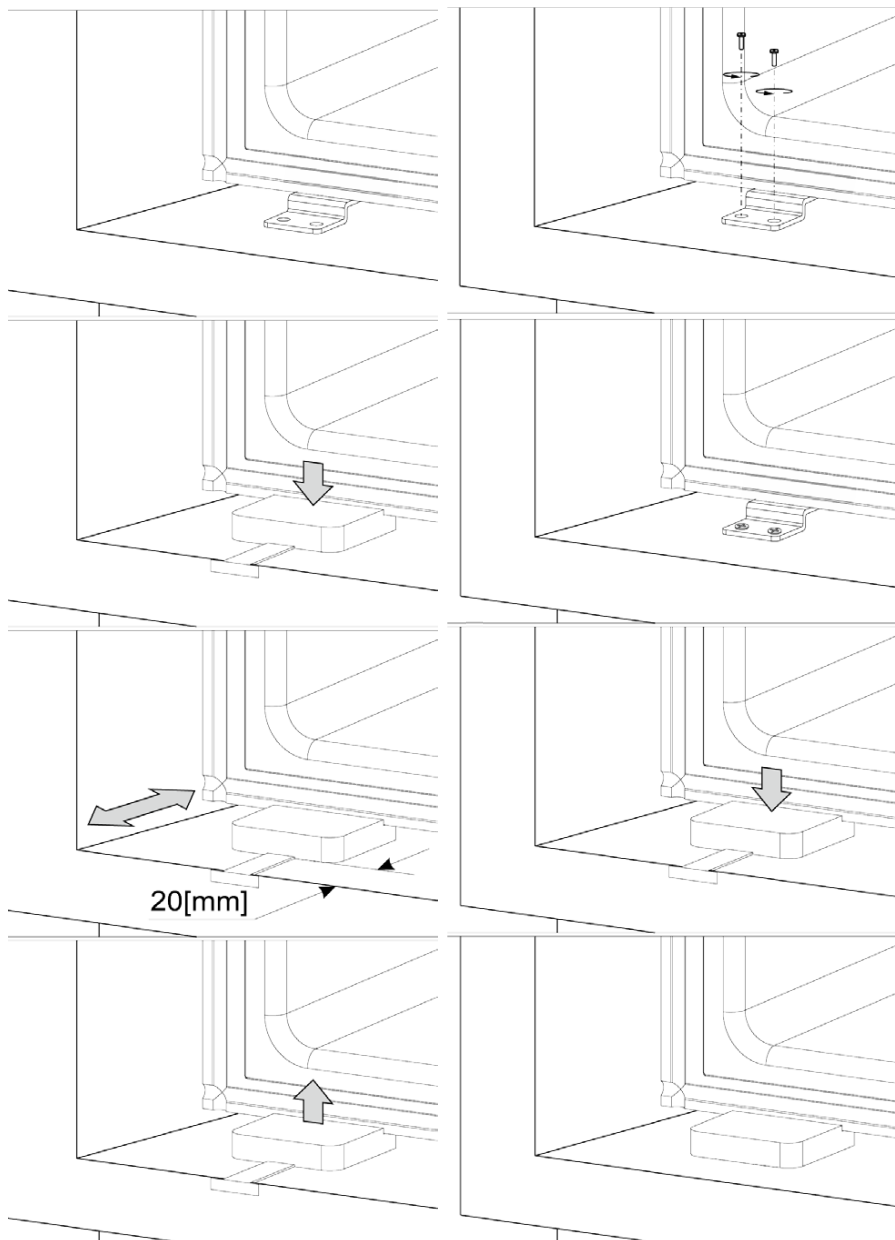


Installation 4/9

4. There are two metal plates at the base of the appliance. Fit the supplied white spacers to these plates based on the following pics.

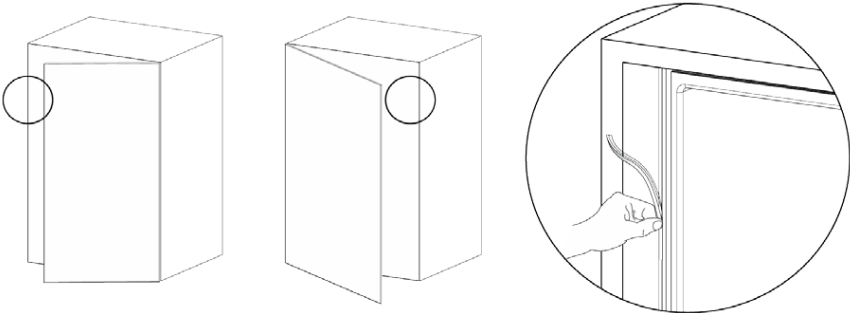
Ensure that the lips of the spacers are level with the lip of the cabinet base. As a rule, the more air that can get in and out, the better and more efficient the operation of the product.

Installation 5/9



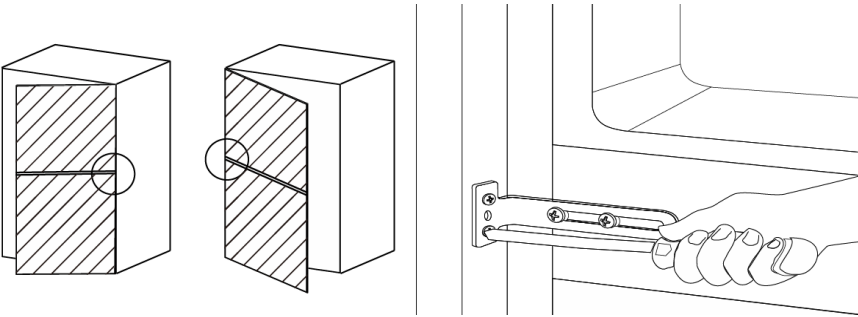
Installation 6/9

5. Use the strip to fill up the interspace between the cabinet and the side board.

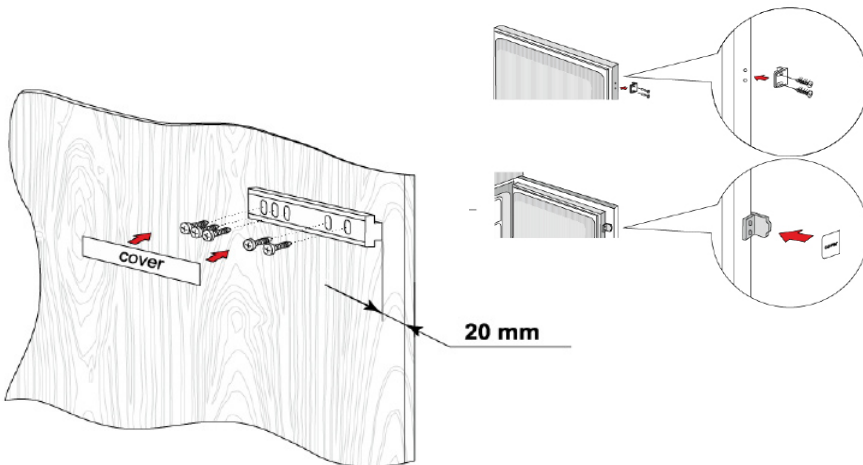


Installation 7/9

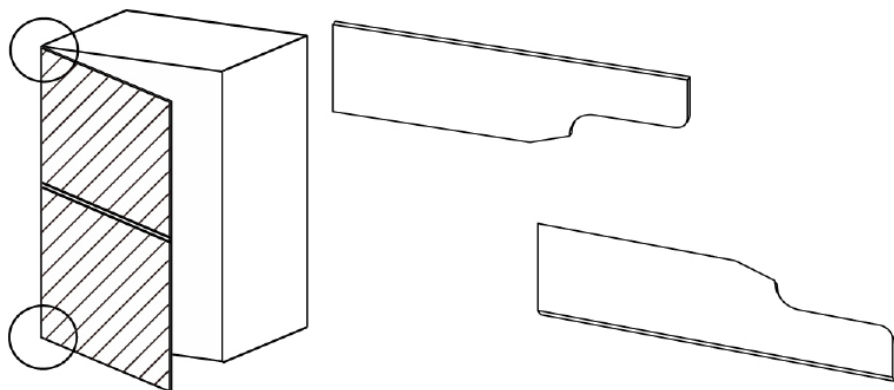
6. Use the sealing strip to fill the gap.



7. Install the connection plate as follows if there is one.

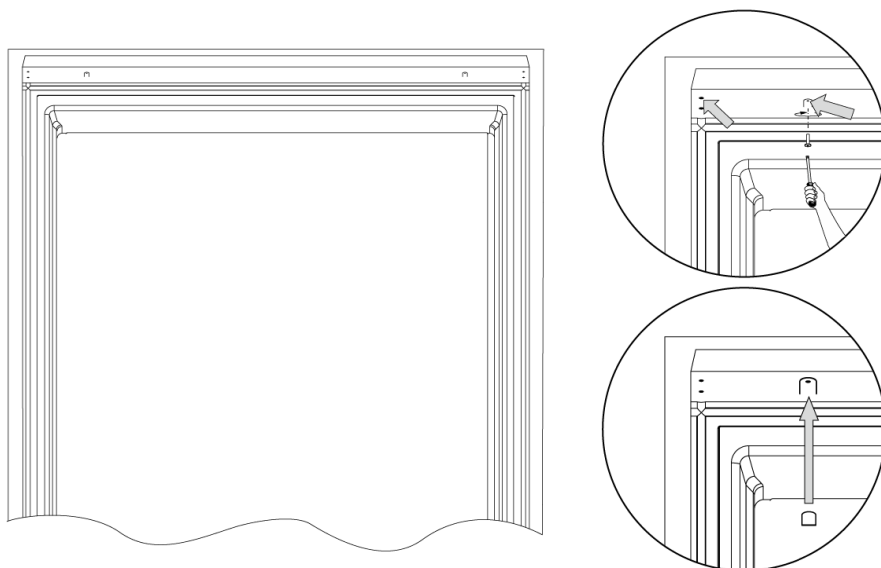


8. Install the sliding strip and put the cover on. Then install the connecting bracket into the wooden board and the product.

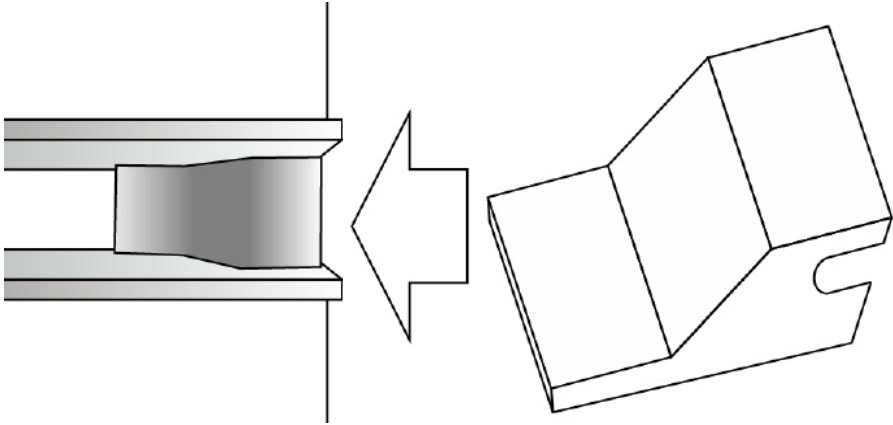


Installation 8/9

9. Install the hinge cover as following position.

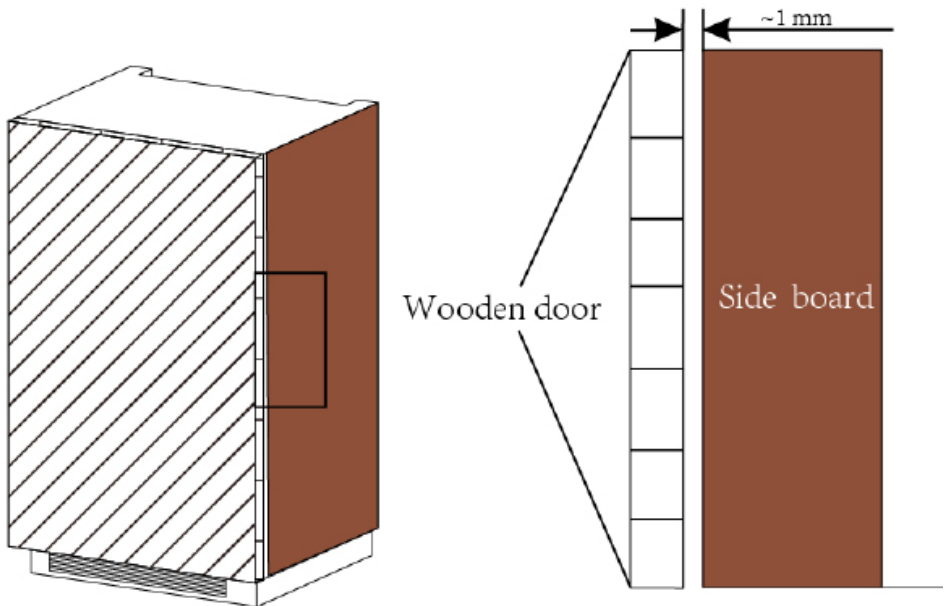


10. Install the middle hinge cover. (For only two doors products).



Installation 9/9

11. Finally, the gap between wooden door and the cabinet should less than 1 mm.



Введение.....	24
Информация по технике безопасности	25
Обзор холодильника	34
Технические характеристики	36
Установка и подключение	37
Панель управления.....	49
Эксплуатация	50
Очистка и уход.....	57
Техническое обслуживание.....	59
Если холодильник не работает.....	60
Информация по гарантии	63
Обслуживание и запасные детали	64
Программа сервисного обслуживания ELEXIR	65
Правила утилизации	66

Уважаемый покупатель!

Благодарим Вас за приобретение продукции **MILLEN**. Мы уверены, что данный холодильник займет достойное место на Вашей кухне и станет не просто прибором для хранения продуктов, а центром внимания и будет радовать Вас многие годы.

Для правильного и безопасного использования устройства, пожалуйста, ознакомьтесь со всеми пунктами данного руководства по эксплуатации. Просим Вас сохранять его на весь срок службы данного холодильника. В начале приведен раздел с некоторыми важными условиями безопасной работы устройства. В руководстве даны полезные советы по уходу и чистке изделия, а также содержатся рекомендации по экономии электроэнергии.

Производитель оставляет за собой право вносить изменения в конструкцию, комплектацию и технологическое устройство изделия без предварительного уведомления с целью улучшения характеристик продукции. Наша бытовая техника постоянно совершенствуется, обновляется дизайн, поэтому рисунки и обозначения, приведенные далее, могут несколько отличаться от приобретенной Вами модели.

Если в процессе эксплуатации возникнут неполадки, на последних страницах Вы сможете найти советы, как самостоятельно устранить мелкие неисправности.

Гарантия — 3 года.

Срок эксплуатации — 10 лет.

Подробные условия гарантийного обслуживания Вы найдете в гарантийном талоне внутри упаковки.

При возникновении любых вопросов, связанных с покупкой, эксплуатацией и обслуживанием техники **MILLEN** Вы можете проконсультироваться по телефону с сервисной службой: **8 800 77-55-44-7**.



Внимание!

Перед использованием холодильника просим Вас внимательно ознакомиться с руководством по эксплуатации и сохранить его для дальнейшего использования. В случае утери данного руководства по эксплуатации получить новое можно на официальном сайте.

Информация по технике безопасности

Для Вашей безопасности и правильного использования устройства внимательно прочтите это руководство. Важно иметь в виду все рекомендации и предупреждения. Все люди, использующие оборудование, должны быть хорошо ознакомлены с его рабочими характеристиками и мерами безопасности. Это поможет избежать ошибок и поломок. Сохраните данное руководство. Оно должно всегда передаваться с оборудованием в случае его перемещения или продажи. Любой человек, который будет использовать данное устройство, должен понимать, как оно работает, и соблюдать технику безопасности. Соблюдайте меры предосторожности, перечисленные в руководстве. Это обеспечит безопасность Вашей жизни и имущества. Изготовитель несет ответственность за повреждения, если Вы четко следовали указаниям из руководства во время использования оборудования.

Меры безопасности для детей и других уязвимых категорий людей

Данное устройство может использоваться:

– Детьми в возрасте от 8 лет.

– Лицами с ограниченными физическими, сенсорными или умственными способностями, лицами без достаточного опыта и знаний, если они находятся под присмотром. Эти лица должны понимать, как использовать оборудование безопасным образом и какие риски связаны с его эксплуатацией.

Дети не должны играть с устройством.

Дети не должны чистить холодильник и производить ремонт изделия без присмотра.

Держите упаковку в месте, недоступном для детей, поскольку присутствует риск удушья.

Если Вы утилизируете устройство, выньте вилку из розетки, отрежьте соединительный кабель (как можно ближе к аппарату) и снимите дверь, чтобы дети не закрылись внутри и не получили поражение электрическим током.

Это устройство оснащено магнитным уплотнителем двери. Если собираетесь заменить старое устройство, убедитесь в том, что пружинный фиксатор (при наличии) приведен в нерабочее состояние перед утилизацией. Таким образом данный аппарат не станет смертельной ловушкой для ребенка.

Общая безопасность

Данное устройство предназначено для бытового и аналогичных применений, например:

– В кухонных зонах для персонала в магазинах, офисах и других рабочих помещениях.

- В деревенских домах и в отелях, мотелях и других помещениях жилого типа.
- На предприятиях гостиничного типа с завтраком.
- На предприятиях общественного питания.

Холодильник не предназначен для эксплуатации вне помещений.

Использование устройства допускается только в помещениях, которые соответствуют требованиям к жилым.

Холодильник не предназначен для хранения и охлаждения медикаментов, плазмы крови, лабораторных препаратов и других подобных материалов и продуктов, обозначенных в директиве по медицинским продуктам.

Ненадлежащая эксплуатация холодильника может привести к повреждению или порче продуктов.

Запрещается пользоваться данным оборудованием во взрывоопасных зонах.



Внимание!

Не храните взрывчатые вещества, такие как аэрозольные баллоны с горючим пропеллентом, в данном оборудовании.

Если шнур питания поврежден, он должен быть заменен изготовителем, его сервисным агентом или лицами, имеющими аналогичную квалификацию, во избежание опасности.

Следите, чтобы вентиляционные отверстия в кожухе устройства не засорились.

Не используйте механические приспособления или другие средства, за исключением рекомендованных изготовителем, для ускорения процесса размораживания.

Не повреждайте контур циркуляции хладагента.

Не используйте электроприборы внутри отделений для хранения продуктов, кроме типа приборов, рекомендованного изготовителем.

Хладагент и изолирующий газ являются легковоспламеняющимися. Проводите утилизацию оборудования в соответствии с разделом «Правила утилизации», только в уполномоченном центре утилизации отходов. Не подвергайте воздействию огня.

Во время установки устройства проследите, чтобы шнур питания не был сдавлен или поврежден.

Не размещайте многоместные розетки или портативные источники питания позади холодильника.

В неустойчивом положении устройство представляет опасность. Установите его в соответствии с инструкцией.

Хладагент

Хладагент изобутан (**R600a**) содержится внутри контура циркуляции хладагента. Это природный газ с высоким уровнем экологической совместимости, который тем не менее может воспламениться. Во время транспортировки и установки устройства удостоверьтесь, что ни один из компонентов контура хладагента не был поврежден.

Опасность возгорания/легковоспламеняющиеся материалы

Если контур хладагента поврежден:

- Избегайте открытого огня и источников возгорания.
- Тщательно вентилируйте помещение, в котором находится устройство.

Менять спецификации или модифицировать данное изделие каким бы то ни было образом опасно. Любое повреждение шнура может привести к короткому замыканию, возгоранию и/или поражению электрическим током.



Внимание!

Во время использования, сервисного обслуживания и утилизации устройства обратите внимание на значок пламени. Он находится на задней панели холодильника или на компрессоре и окрашен в желтый или оранжевый цвет. Наличие этого значка означает риск возгорания. Трубки для хладагента и компрессор наполнены воспламеняющимися веществами.

Шнур питания нельзя удлинять.

Убедитесь, что вилка питания не разбита и не повреждена. Разбитая или поврежденная вилка может перегреться и вызвать возгорание.

Убедитесь, что Вы имеете доступ к сетевой вилке устройства.

Не тяните за сетевой шнур.

Если розетка разъема питания плохо закреплена, не вставляйте вилку. Существует риск поражения электрическим током или возгорания.

Нельзя использовать оборудование без защитного кожуха лампы внутреннего освещения.

Холодильник может применяться только с источником питания однофазного переменного тока **220~240 В/50 Гц**. В целях безопасности используйте автоматический регулятор напряжения переменного тока более **350 Вт**, если на территории пользователя колебание напряжения настолько высоко, что выходит за рамки вышеуказанного предела. Для холодильника необходимо использовать специальную розетку вместо обычной. Его вилка должна совмещаться с розеткой с заземляющим проводом. Розетка должна быть защищена предохранителем, рассчитанным на ток не менее **10 А**.

Многоместные розетки или удлинители не обеспечивают необходимую безопасность. Не подключайте холодильник к электросети с помощью таких устройств.

Попадание влаги на детали, находящиеся под напряжением, или на сетевой кабель может привести к короткому замыканию. Поэтому не разрешается эксплуатация холодильника в местах, не защищенных от влаги или брызг.

Данные для подключения на паспортной таблице внутри холодильника должны обязательно соответствовать параметрам электросети во избежание повреждений устройства. Перед подключением сравните эти данные. В случае сомнений проконсультируйтесь со специалистом по электромонтажу.

Электробезопасность прибора гарантирована только в том случае, если он подключен к системе защитного заземления, выполненного в соответствии с предписаниями. Очень важно проверить соблюдение этого основополагающего условия электробезопасности. В случае сомнения поручите специалисту-электрику проверить домашнюю электропроводку.

Надежная и безопасная работа прибора гарантирована лишь в том случае, если прибор подключен к централизованной электросети.

Повседневное использование

– Не используйте устройство для хранения горючих газов или жидкостей. Существует риск взрыва.

– Не разрешается эксплуатация холодильника на нестационарных объектах (напр., судах).

– Повреждения устройства могут быть опасны для Вас. Проверяйте, нет ли на нем видимых повреждений. Никогда не пользуйтесь поврежденным холодильником.

– Не используйте никакие электроприборы в холодильнике (например, электрические устройства для приготовления мороженого, миксеры и т. д.), если они не того типа, который рекомендован производителем.

– Удаляйте воду или пыль со штекера питания сухой чистой тканью, не прикасайтесь к нему мокрыми руками и вставьте его так, чтобы концы контактов были надежно соединены.

– Не используйте холодильник не в бытовых целях (хранение лекарств или крови для анализа, использование на судне и т. д.). Это может привести к неожиданному риску, такому как пожар, поражение электрическим током, порча хранящихся материалов или химическая реакция.

– Не используйте и не храните легковоспламеняющиеся материалы, например эфир, бензол, спирт, лекарства, жидкий пропан, аэрозоли или косметику, рядом с холодильником или в нем. Это может привести к взрыву или пожару.

– Не ставьте внутрь стеклянную посуду, не предназначенную для использования в холодильнике или морозильной камере. Стекло может треснуть или разбиться, что может привести к травме.

– Не ставьте в холодильник тяжелые или опасные предметы, такие как косметика, лекарства, ваза для цветов и другие большие и/или открытые емкости с водой. При открывании или закрывании двери они могут упасть, что приведет к травмам, возгоранию или поражению электрическим током.

– Не разбрызгивайте воду снаружи или внутри холодильника, не чистите его бензолом или разбавителем.

– Не чистите устройство никакими кислотными и/или содержащими бензол средствами, абразивными щетками, острыми инструментами.

– Не используйте сушилку для просушки внутренней части устройства и не зажигайте свечу для удаления неприятного запаха. Это может привести к взрыву или пожару.

– Нельзя цепляться за дверцу или полки на дверце и висеть на них. Это может привести к падению холодильника и серьезным травмам или даже смерти.

– Не кладите лед в керамическую или тонкую хрустальную посуду. Она может разбиться, что приведет к травмам.

– Не позволяйте никому, кроме квалифицированного обслуживающего персонала, разбирать, ремонтировать или переделывать холодильник, если производитель не указал, что это допустимо. Это может привести к травмам, поражению электрическим током или пожару.

– Во время отключения от сети всегда беритесь за вилку, вынимая ее из сетевой розетки, не тяните за кабель.

– Подождите не менее 5 минут, прежде чем снова подсоединять шнур питания. Невыполнение этого требования может привести к выходу морозильной камеры из строя.

– Не допускайте, чтобы вилка сетевого шнура была направлена вверх или прижималась к задней стенке холодильника. Возможно попадание воды внутрь или повреждение пробки, что может привести к возгоранию или травме.

– Не помещайте горячие предметы вблизи пластиковых компонентов данного оборудования.

– Не размещайте пищевые продукты непосредственно напротив воздухо-выпускного отверстия на задней стенке.

– Предварительно расфасованные замороженные пищевые продукты храните согласно инструкции их изготовителя.

– Строго соблюдайте рекомендации по хранению от изготовителя устройства, указанные в данном руководстве. Замороженные продукты могут вызвать холодовой ожог, если их употребить сразу после извлечения из морозильного отделения.

– Не устанавливайте устройство там, где оно будет подвергаться прямому воздействию солнечного света.

– Держите горящие свечи, лампы и другие объекты с открытым огнем на удалении от оборудования, чтобы избежать возгорания.

– Устройство предназначено для хранения пищевых продуктов и/или напитков в обычных бытовых условиях. Эти условия указаны в данном руководстве.

– Холодильник тяжелый. Перемещая его, необходимо соблюдать осторожность.

– Не вынимайте предметы из морозильного отделения и не прикасайтесь к ним влажными/мокрыми руками. Это может привести к ссадинам на коже или холодовым ожогам.

– Никогда не используйте основание, выдвижные ящики, двери и т. д. в качестве опоры и не вставайте на них.

– Не перегружайте дверные полки и не помещайте слишком много продуктов в контейнеры для фруктов и овощей. Это исключит падение предметов и возможные травмы.

– Не накрывайте и не засоряйте воздуховыпускные отверстия холодильника.

– Храните сырые мясо и рыбу в подходящих контейнерах в холодильнике, чтобы с них не капала жидкость и они не соприкасались с другими продуктами.

– Двухзвездочные отделения для замороженных продуктов подходят для хранения предварительно замороженных продуктов, хранения или приготовления мороженого и кубиков льда.

– Отделения с одной, двумя и тремя звездочками не подходят для замораживания свежих продуктов.

Очистка и уход

– Перед проведением технического обслуживания выключите устройство и отсоедините сетевую вилку от розетки.

– Не очищайте оборудование с помощью металлических предметов, парочистителя, эфирных масел, органических растворителей или абразивных чистящих средств.

– Для удаления льда из устройства используйте пластиковый скребок вместо острых предметов.

– Регулярно очищайте поверхности, которые могут соприкасаться с пищевыми продуктами, и доступные дренажные системы.

Важные указания по установке!

– Для электрического соединения строго следуйте инструкциям из руководства. Распакуйте устройство и проверьте его на наличие повреждений.

– Не подключайте оборудование и сохраните упаковку, если оно повреждено. Немедленно сообщите о возможных повреждениях туда, где Вы приобрели холодильник.

– Рекомендуется подождать минимум 4 часа, прежде чем подключать холодильник. Это позволит маслу стечь обратно в компрессор.

– Необходимо обеспечить достаточную циркуляцию воздуха вокруг устройства, иначе оно перегреется. Следуйте инструкциям по установке.

– По возможности задняя часть изделия не должна находиться слишком близко к стене. Стена не должна соприкасаться с нагревающимися деталями (компрессором, конденсатором) и прижиматься к ним из-за риска возгорания. Следуйте инструкциями по установке.

– Оборудование не должно располагаться вблизи радиаторов или кухонных плит. Обеспечьте доступ к сетевой вилке после установки устройства.

- Не устанавливайте холодильник в помещении с высокой влажностью. Несоблюдение этого требования может привести к преждевременному износу или к поражению электрическим током.

- Устанавливайте прибор в сухом, хорошо проветриваемом помещении.

- Оборудование следует устанавливать близко к сетевой розетке, так во время аварии будет легко отключить питание.

- Запрещается эксплуатация холодильника на открытом воздухе, в неотапливаемых и не защищенных от ветра, влаги и чрезмерно запыленных помещениях, а также в помещениях с температурой воздуха ниже 5 °С.

- Не подвергайте холодильник воздействию высокой температуры или открытого пламени.

- Храните устройство в хорошо проветриваемом помещении, убедитесь, что вокруг холодильника достаточный поток воздуха.

- Не закрывайте и не загораживайте выпускное отверстие на задней панели устройства. Несоблюдение этого требования может привести к поражению электрическим током или травме.

Обслуживание

- Любые электротехнические работы по обслуживанию холодильника должен выполнять только квалифицированный электрик или другой компетентный специалист.

- Данное изделие должно обслуживаться только в авторизованном сервисном центре. Используйте только оригинальные запасные части.

- Этот холодильник нельзя устанавливать на любой другой прибор или под ним. Не пытайтесь сесть или встать на холодильник: Вы можете пораниться или повредить устройство.

- Следите за тем, чтобы сетевой кабель не попал под холодильник во время и после его перемещения, чтобы избежать перерезания или повреждения сетевого кабеля.

- В случае сбоя питания не открывайте холодильник. Температура замороженных продуктов не станет слишком высокой, если сбой длится менее 10 часов. Если холодильник будет выключен дольше, то состояние продуктов следует проверить и употребить в пищу сразу или приготовить, а затем снова заморозить.

- Если Вы обнаружите, что дверцу морозильной камеры трудно открыть сразу после того, как Вы ее закрыли, не беспокойтесь. Это происходит из-за разницы давлений, которая выравнивается и позволяет нормально открыть дверцу через несколько минут.

- Не подключайте прибор к электросети до тех пор, пока не будут удалены все упаковки и транспортировочные протекторы.

- Если холодильник перевозили в горизонтальном положении, дайте устройству постоять минимум 4 часа в вертикальном положении, чтобы компрессорное масло осело.

- Этот холодильник должен использоваться только по прямому назначению (т. е. для хранения и замораживания пищевых продуктов).
- Перед проведением очистки или технического обслуживания выньте вилку шнура питания из розетки.
- При доставке убедитесь, что изделие не повреждено и все детали и аксессуары в рабочем состоянии.
- Если в системе охлаждения обнаружена утечка, не прикасайтесь к настенной розетке и не используйте открытое пламя. Откройте окно и проветрите помещение. Затем обратитесь сервисный центр для ремонта.
- Не используйте удлинители или адаптеры.
- Не тяните и не сгибайте слишком сильно шнур питания. Повреждение шнура и/или вилки может вызвать поражение электрическим током или возгорание. Если шнур питания поврежден, он должен быть заменен на новый изготовителем, его сервисным агентом или лицом с аналогичной квалификацией для того, чтобы избежать опасности.
- Не размещайте в холодильнике или рядом с ним легковоспламеняющиеся и летучие материалы, такие как эфир, бензин, сжиженный нефтяной газ, пропан, аэрозоли, клей, чистый спирт и т. д. Они могут стать причиной взрыва.
- Не используйте предметы с острыми краями, такие как ножи или вилки, для удаления инея или льда. Они могут повредить контур хладагента, разлив которого может привести к пожару или ухудшению Вашего зрения.
- Никогда не используйте фены, электронагреватели или другие подобные электроприборы для размораживания.
- Категорически запрещается использовать открытый огонь или такое оборудование, как обогреватели, пароочистители, свечи, масляные лампы и т. п., чтобы ускорить размораживание.
- Никогда не мойте компрессор водой, тщательно протрите его сухой тканью после очистки, чтобы предотвратить появление ржавчины.
- Не касайтесь вилки мокрыми руками.
- Рекомендуется содержать вилку в чистоте, любые чрезмерные остатки пыли на ней могут стать причиной возгорания.
- Холодильник предназначен только для домашнего использования. Гарантия аннулируется, если он установлен и/или эксплуатируется в коммерческих или нежилых бытовых помещениях.
- Изделие необходимо устанавливать и использовать в соответствии с инструкциями, содержащимися в данном руководстве по эксплуатации.
- Чтобы пищевые продукты в холодильнике не испортились, соблюдайте следующие инструкции:
 - Не оставляйте дверцы открытыми длительное время: это может привести к значительному повышению температуры в камерах прибора.
 - Регулярно очищайте поверхности, которые могут соприкасаться с продуктами, и доступные дренажные системы.

– Храните сырые мясо и рыбу в подходящих контейнерах, чтобы с них не капала жидкость и они не соприкасались с другими продуктами.

– При первом запуске температура холодильной камеры будет установлена на 5 °С, морозильной — на –18 °С.

– Если Вы выключили холодильник, подождите 5 минут, прежде чем снова включать его, чтобы предотвратить ненужную нагрузку на компрессор.

– Образование инея на задней стенке рабочей камеры — нормальное явление: за ней работает система охлаждения. Затем (во время циклов выключения компрессора) иней тает, стекает через небольшой дренаж и испаряется. Наличие льда на задней стенке не является неисправностью холодильника.

– Никогда не храните в рабочей камере легковоспламеняющиеся или взрывоопасные предметы, а также сильные едкие кислоты или щелочи.

– Никогда не кладите в холодильник жидкости в емкостях без крышки.

– Никогда не кладите горячие продукты в холодильник. Горячей пище нужно дать остыть до комнатной температуры перед помещением в холодильник.

– Ничто не должно упираться в заднюю стенку холодильника, так как это может вызвать образование инея и конденсата, которые будет трудно удалить.

– Прежде чем класть продукты в холодильник, убедитесь, что они чистые и достаточно сухие.

– Заверните или накройте продукты перед помещением в холодильник. Это поможет предотвратить потерю влаги, сохранить их свежими и избежать появления неприятных запахов.

Сортируйте продукты перед хранением. Любые продукты, которые будут использованы в ближайшее время, должны храниться в передней части полки. Так Вы сможете быстрее достать их, поэтому дверца не будет открыта слишком долго и температура в камере не повысится.

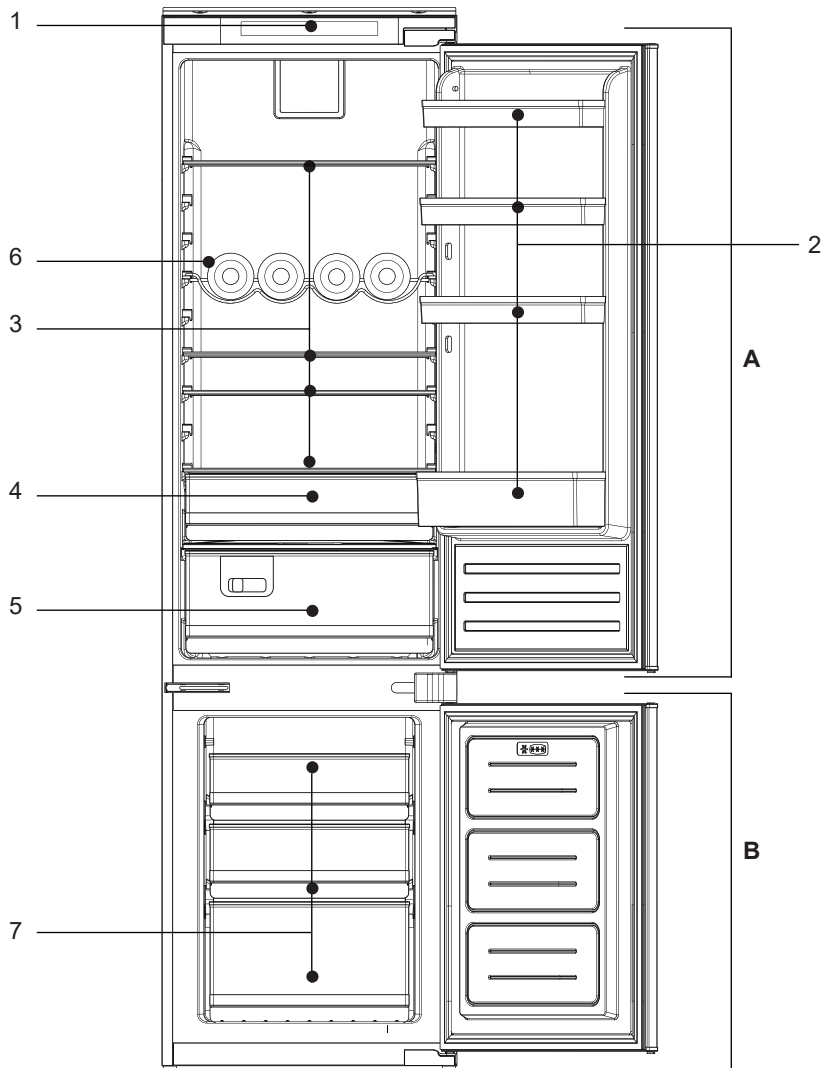
– Не переполняйте холодильник. Между продуктами должно быть достаточно места, чтобы обеспечить циркуляцию холодного воздуха.

– Размораживание замороженных продуктов в холодильном отделении помогает поддерживать низкую температуру и экономить электроэнергию.

– Никогда не храните сырое мясо на полках над приготовленным мясом или другими продуктами. Это поможет предотвратить попадание соков из сырого мяса в другие пищевые продукты.

Обзор холодильника

Модель MILLEN MBIM 193.3D



А. Холодильная камера

Предназначена для хранения пищевых продуктов, не требующих замораживания, оснащена секциями для разных видов продуктов.

1. Панель управления.
2. Дверные полки.
3. Стекланные полки.
4. Ящик для хранения.
5. Ящик **FreshZone** с регулировкой уровня влажности
6. Полка для бутылок.

В. Морозильная камера

Предназначена для замораживания свежих пищевых продуктов и хранения замороженных в течение длительного времени.

7. Ящики для хранения.

Комплектация:

- Холодильник — 1 шт.
- Полка для бутылок — 1 шт.
- Лоток для яиц — 2 шт.
- Лоток для льда — 1 шт.
- Гарантийный талон — 1 шт.
- Руководство по эксплуатации — 1 шт.

Технические характеристики

Модель	MBIM 193.3D
Тип установки	Встраивание
Цвет	Белый
Перенавешиваемые двери	Да
Тип направляющих для встраиваемых моделей	Металлические
Количество камер	2
Объем холодильной камеры	209 л
Тип разморозки холодильной камеры	No Frost
Объем морозильной камеры	64 л
Тип разморозки морозильной камеры	No Frost
Общий полезный объем	273 л
Количество полок холодильной камеры	4
Количество ящиков холодильной камеры	2
Количество ящиков морозильной камеры	3
Мощность замораживания (кг/сутки)	2,6
Тип управления	Электронное
Диапазон температур в холодильной камере	2...8 °С
Диапазон температур в морозильной камере	-16...-22 °С
Звуковой сигнал при открытой двери	Да
FreshZone	Да
Количество контуров охлаждения	2
Тип освещения	LED
Дополнительные функции	FastCool/FastFreeze/оповещение о повышении температуры
Уровень шума	41 дБ
Тип хладагента	R600a
Класс энергопотребления	A+
Энергопотребление в год	312 кВт
Время поддержания температуры при отключении электроэнергии	11 ч
Климатический класс	ST
Длина кабеля	220 см
Размеры устройства (В × Ш × Г)	1937×540×550 мм
Размер упаковки	2000×573×583 мм

Установка и подключение



Внимание!

Перед установкой внимательно прочтите инструкции для Вашей безопасности и нормальной работы устройства.

Располагайте холодильник на удалении от источников тепла.

Выберите подходящее место для установки холодильника, которое соответствует требованиям, указанным ниже, и где им будет удобно пользоваться. Избегайте размещения устройства вблизи источников тепла, прямых солнечных лучей или влаги.

Транспортировка/перемещение холодильника

Не переносите холодильник горизонтально и/или держась за дверцу.

При перемещении изделия приподнимайте его дно.

Это устройство ни в коем случае нельзя перемещать в одиночку, для безопасного подъема или перемещения холодильника требуются два человека.

Передвигая холодильник, не наклоняйте его более чем на **40°** от вертикального положения. При возникновении такой ситуации прибор следует включить не ранее чем через 2 часа после его установки в правильное положение.

Требования к размещению

Холодильник должен быть установлен на твердом, ровном основании, способном выдержать вес заполненного холодильника; если необходима амортизация, следует использовать устойчивые, твердые, негорючие блоки. Не устанавливайте холодильник на ковровое покрытие.

Не используйте пенопластовую упаковку в качестве прокладочных блоков!

Устройство должно быть установлено вдали от мест, где присутствует вода. Воду или грязь следует как можно скорее удалить с любой поверхности холодильника с помощью мягкой ткани. Это поможет предотвратить появление ржавчины и позволит устройству работать с максимальной эффективностью.

Обеспечьте расстояние от источников тепла (минимальное):

- От электрических, газовых и других плит — **30 мм.**
- От дизельных или твердотопливных котлов — **300 мм.**
- От встроенных духовых шкафов — **50 мм.**

Если невозможно обеспечить вышеуказанные расстояния, применяйте изоляционную плиту.

Храните холодильник вдали от источников тепла или прямых солнечных лучей.

Климатический класс

Холодильник выполняет свои функции при условии соблюдения требований климатического класса.

Поддерживайте температуру в помещении в пределах **ST**. Это поможет использовать холодильник максимально эффективно и безопасно. Повышение температуры окружающей среды выше максимального уровня допустимо лишь на короткое время. В противном случае в морозильном отделении установится очень высокая температура, и замороженные продукты могут оттаять.

Соответствие климатического класса температурным условиям приведены в таблице ниже.

Климатический класс	Температура окружающей среды
SN	От +10 до +32 °C
N	От +16 до +32 °C
ST	От +16 до +38 °C
T	От +16 до +43 °C

Система вентиляции

Задняя стенка холодильника нагревается, поэтому нельзя устанавливать устройство вплотную к стене/мебельной стенке. Если не оставить за задней стенкой прибора достаточно места для свободной циркуляции воздуха, холодильник будет работать в интенсивном режиме, в результате чего возрастет потребление электроэнергии. Поэтому никогда не закрывайте и не блокируйте вентиляционные отверстия.

Изменение направления открывания дверей

Поставьте холодильник вертикально, откройте дверцы, извлеките все дверные полки (чтобы избежать их повреждения). Убедитесь, что холодильник пустой и отсоединен от сети.

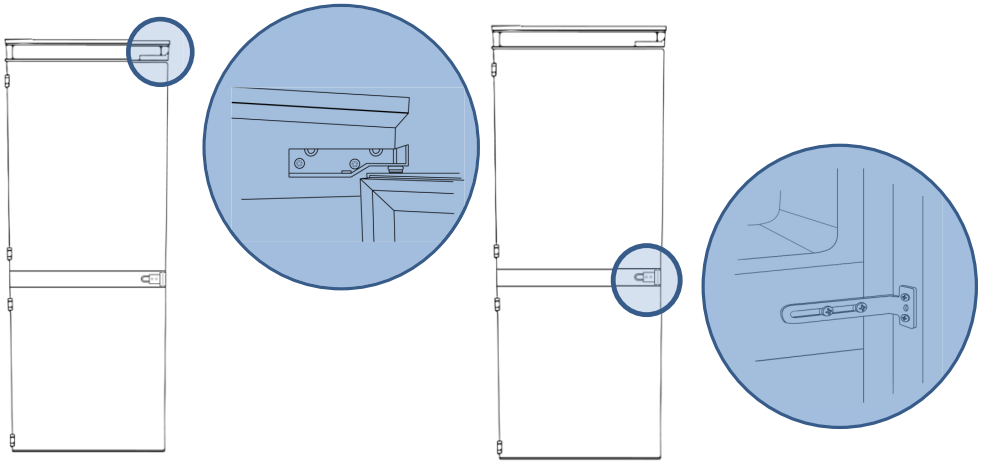
Отвинтите все кронштейны для ползунков от дверей и переставьте их на сторону, наиболее удаленную от новых позиций петель, до того, как будет установлена декоративная дверь.

1. Осторожно снимите заглушку верхней петли и выкрутите винты, крепящие верхнюю петлю, при этом необходимо поддерживать верхнюю дверцу.

2. Аккуратно снимите верхнюю дверцу и поместите ее в безопасное место. Обратите внимание, что между дверцей и петлей есть прокладки; запомните, сколько их и в каком положении они находятся.

3. Снимите центральную петлю, удалив винты, крепящие ее к прибору; при этом поддерживайте нижнюю дверцу.

4. Снимите нижнюю дверцу и поместите ее в безопасное место, еще раз обратив внимание на положение всех прокладок.



5. Снимите правую нижнюю петлю и заглушку с левой стороны. Установите заглушку на правую сторону.

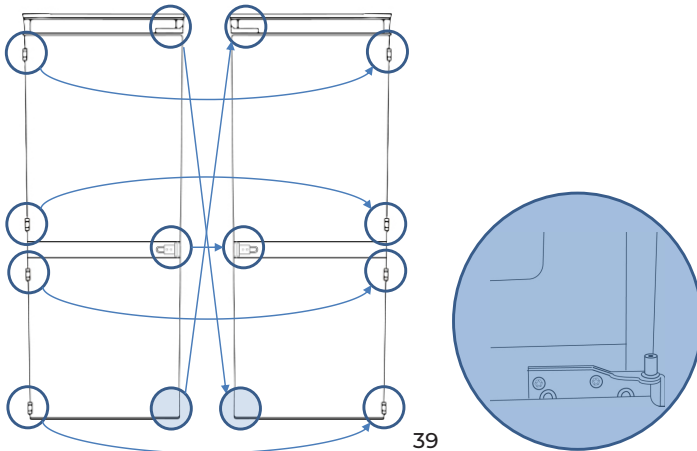
6. Установите верхнюю петлю на противоположную сторону внизу (см. рисунок ниже).

7. Установите нижнюю дверцу, используя прокладки, и установите центральную петлю на дверце на противоположную сторону (см. рисунок). Сняв заглушки, надежно закрепите петлю на приборе.

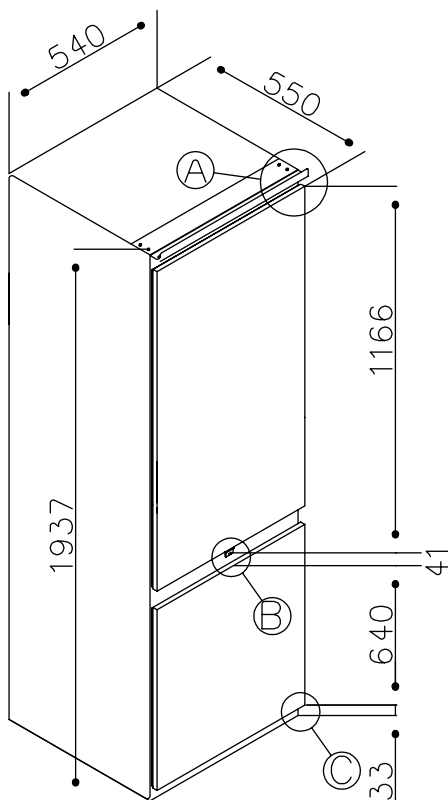
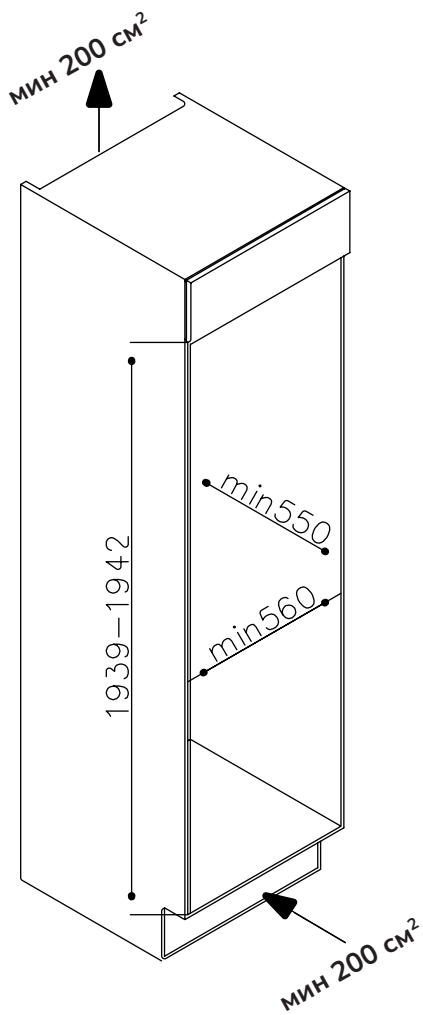
8. Установите нижнюю петлю на противоположную сторону вверх (см. рисунок ниже). Установите на место верхнюю дверцу и петлю и надежно закрепите ее на приборе.

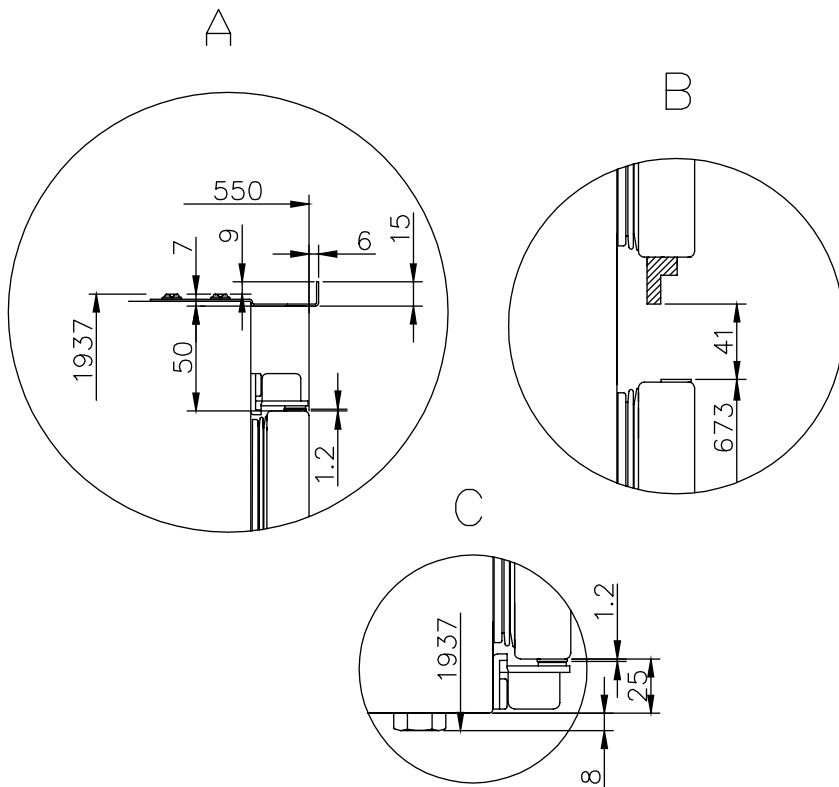
9. Установите на место заглушки центральной крышки и крышки верхних петель, чтобы завершить процесс.

10. Переустановите все направляющие и кронштейны на дверях холодильника и декоративных фасадах в соответствии с новым расположением дверей.



Монтаж/встраивание холодильника





На приведенных стр. 40-41 рисунках показаны размеры устройства, которые помогут Вам определить оптимальное место для расположения холодильника. Фактические размеры устройства могут незначительно отличаться.

Чтобы Ваш холодильник работал с максимальной эффективностью, соблюдайте приведенные рекомендации.

- Никогда не устанавливайте холодильник рядом с источниками тепла, а также во влажных местах.

- Не следует устанавливать устройство в одиночку.

- Этот холодильник может иметь острые края — используйте перчатки.

- Чтобы обеспечить правильное функционирование устройства, отрегулируйте по высоте ножки в его передней части.

- Система охлаждения в задней части прибора не должна касаться стены/мебельной стенки. Чем больше зазор, тем лучше.

- Перед установкой холодильника убедитесь, что ниша в кухонном шкафу имеет размеры, необходимые для встраивания устройства.

Вентиляционные отверстия

Неправильная вентиляция может привести к преждевременному выходу из строя компрессора, чрезмерному потреблению энергии, полному отказу системы и аннулированию гарантии на устройство.

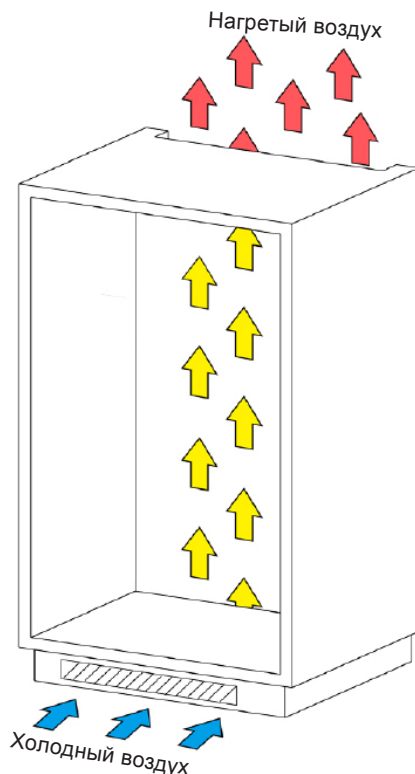
Для холодильников, предназначенных для встраивания, должны быть выполнены следующие требования:

- Сделайте отверстие в кухонном шкафу площадью **200 см²** для обеспечения вентиляции.

- В верхней части шкафа необходимо предусмотреть проход для воздуха, чтобы он мог свободно циркулировать.

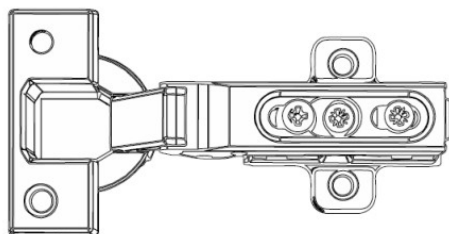
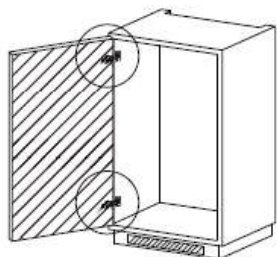
- В задней части шкафа должно быть пространство для подачи холодного воздуха на конденсатор. Рекомендуемый размер: **500×35 мм**.

- В цоколе под холодильником необходимо сделать вырез (рекомендуемый размер: **600×10 мм**), аккуратно закрыв его с помощью вентиляционной решетки. В качестве альтернативы можно снять тонкую часть цоколя, чтобы обеспечить доступ воздуха к устройству.



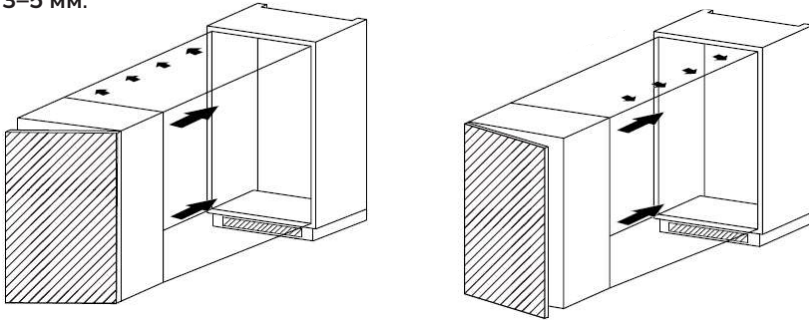
Если необходимо изменить направление открывания дверцы, сделайте это до встраивания холодильника в кухонный шкаф.

Установите дверные петли кухонного шкафа до того, как встроить в него холодильник.

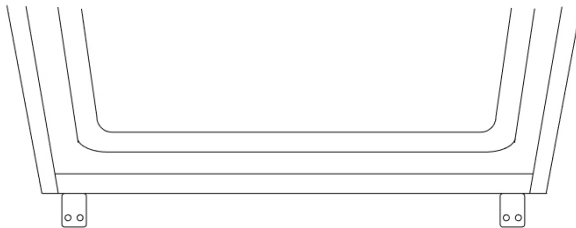
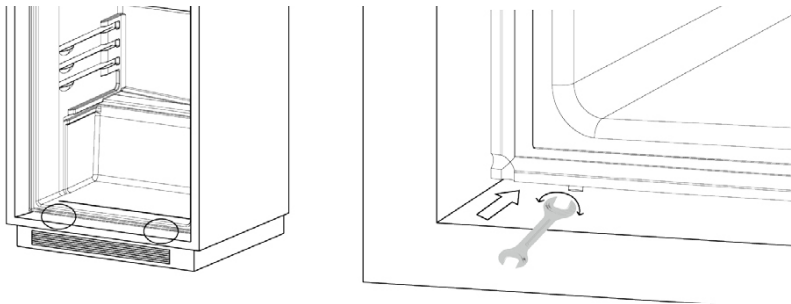


Установите дверцы на корпус (если они были сняты, например, при транспортировке).

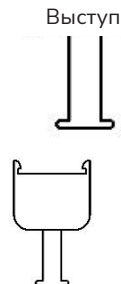
Попросите кого-нибудь помочь Вам поместить холодильник в шкаф. Убедитесь, что расстояние между ним и стенкой холодильника составляет 3–5 мм.



Используйте гаечный ключ, чтобы отрегулировать передние ножки: холодильник должен быть выставлен по уровню. Убедитесь, что холодильник устойчив.

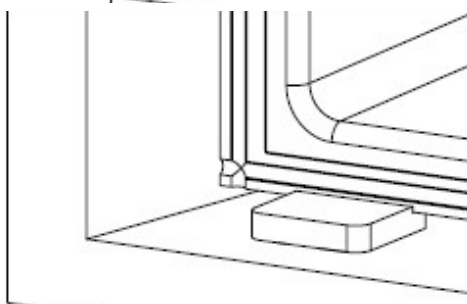
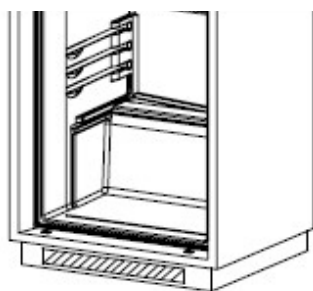
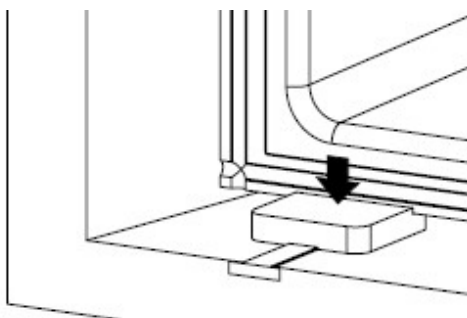
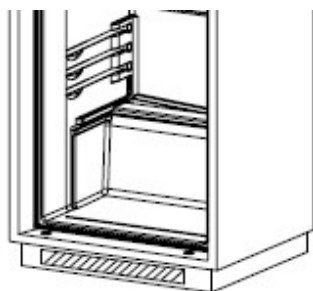
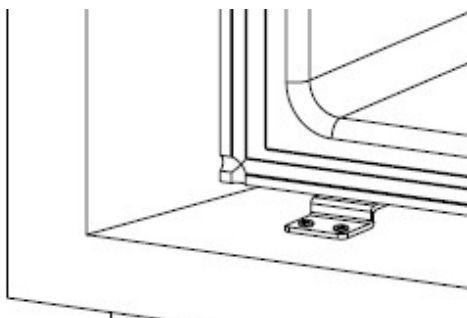
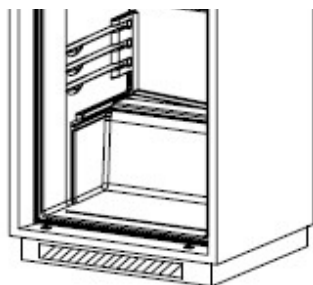


В основании холодильника имеются две металлические пластины. Закрепите холодильник на основании шкафа. Установите и закрепите наклейки на ножках в нижней части холодильника. Пластиковые выступы на наклейках служат ориентиром для определения того, каким должно быть расстояние между изделием и краем шкафа.

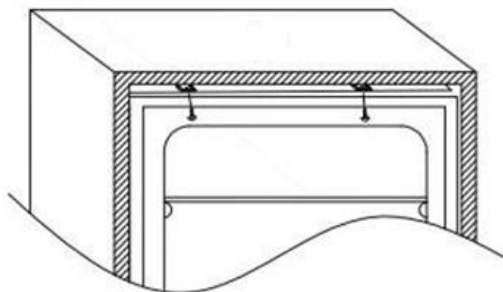


Установка и подключение

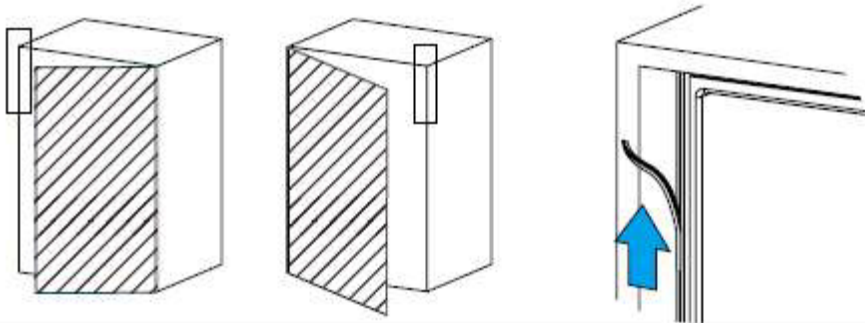
После установки холодильника отсоедините пластиковые выступы.



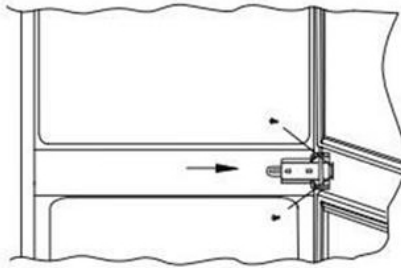
Закрепите холодильник на верхней части шкафа.



Используйте специальную ленту, чтобы закрыть зазор со стороны открывания дверцы шкафа.

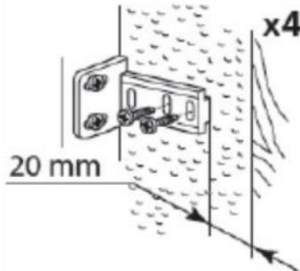


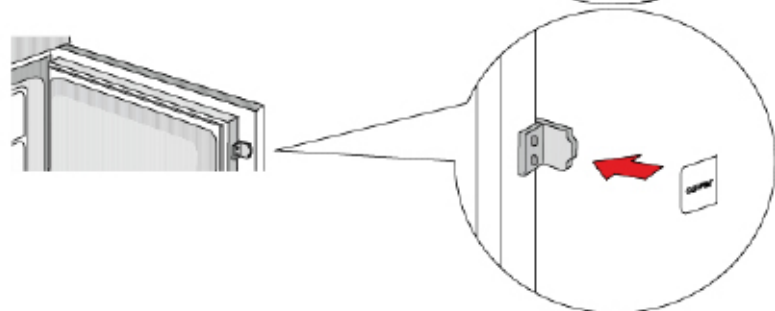
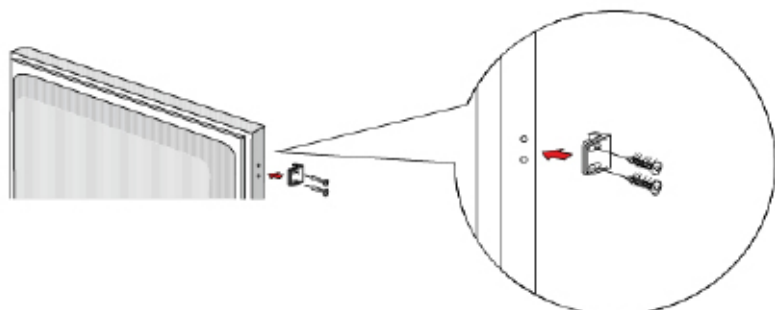
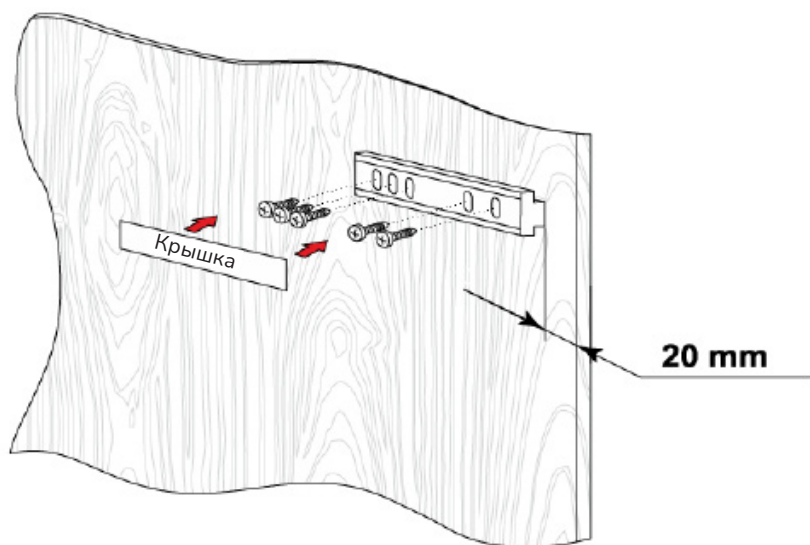
С помощью крестообразной отвертки ослабьте соединительный штифт под средней петлей и отрегулируйте его так, чтобы он привинчивался к стенке шкафа.



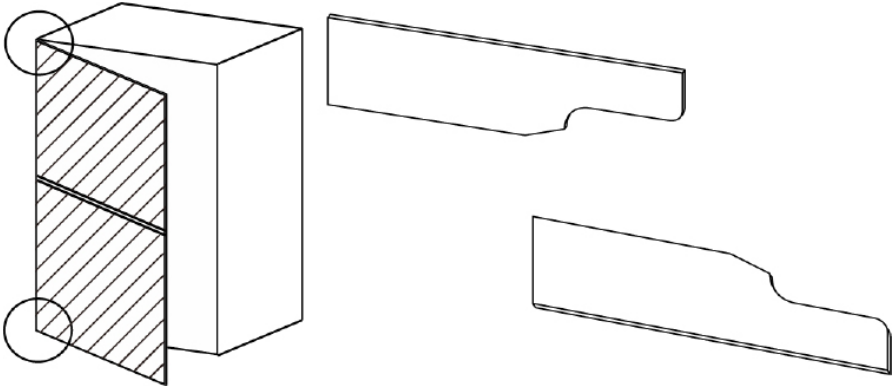
Установите скользящие планки и заглушки на них. Затем соедините декоративную панель и корпус холодильника. Установите металлические направляющие на декоративный фасад с помощью шурупов. Расположение направляющих должно соответствовать расположению держателей направляющих на дверце холодильника.

Закройте направляющие накладной крышкой. Затем установите соединительные кронштейны на дверцу холодильника.

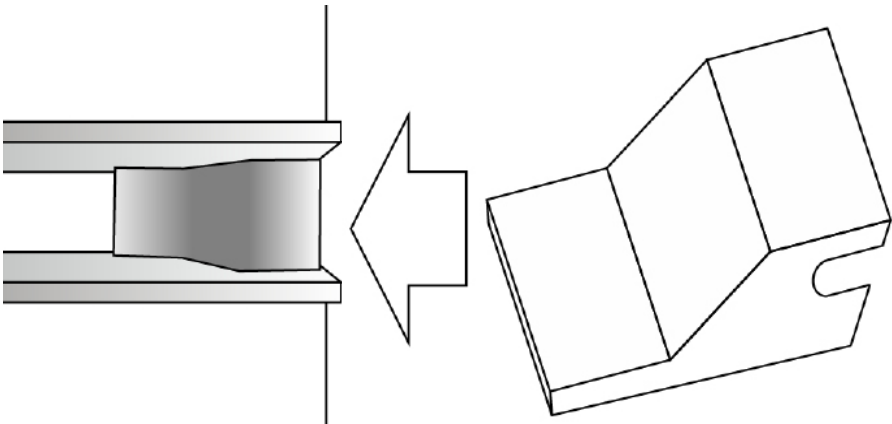




Установите накладки на петли.

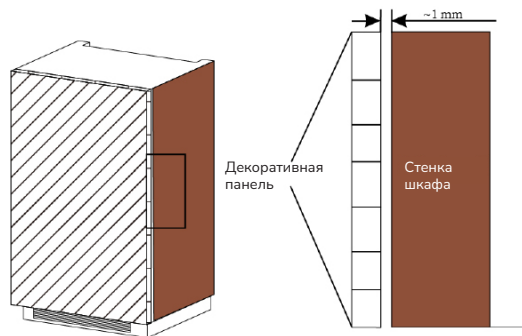


Установите крышку средней петли.



После установки убедитесь, что зазор между мебельной панелью и боковой стенкой шкафа менее **1 мм**.

Дверцы холодильника должны свободно открываться и плотно закрываться. При необходимости отрегулируйте петли и/или расположение кронштейнов.



Регулируемые пластиковые ножки

Если холодильник не выровнен, это может повлиять на работу дверцы и уплотнителей и, как следствие, привести к неправильному функционированию холодильника.

Изначально пластиковые ножки находятся в затянутом состоянии. После извлечения холодильника из упаковки и перемещения к месту постоянной установки обязательно отрегулируйте две передние пластиковые ножки до подходящей высоты (с помощью гаечного ключа).

Перед использованием

После установки холодильника необходимо тщательно его протереть перед использованием. Рекомендации по уходу за холодильником указаны в разделе «Очистка и уход».

Ваш холодильник предназначен для использования в качестве встроенного.

Снимите всю упаковку, включая пенопластовую подложку в нижней части устройства и ленту, которая фиксирует полки и дверные ящики внутри.

Установите холодильник в нужное положение и выровняйте ножки. Рекомендуется протереть устройство теплой тканью с мылом и тщательно высушить его перед использованием.

Подождите **4–6 часов**, а затем включите устройство. Это позволит маслу из компрессора отстояться должным образом и поможет Вашему устройству нормально работать.

Подключение

Подсоедините шнур питания. Нажмите кнопку  на панели управления.

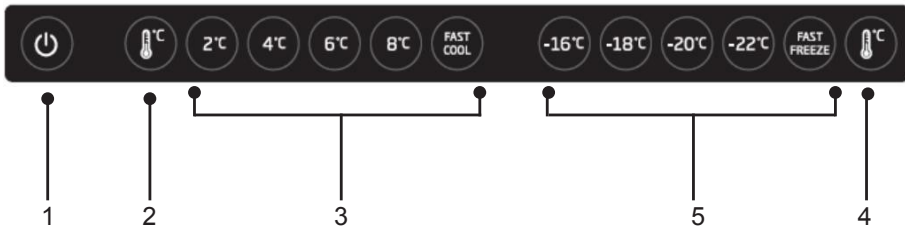
При первом запуске температура холодильной камеры установлена на **4 °С**, температура морозильной камеры установлена на **-18 °С**.

Если Вы хотите изменить настройки холодильника, используйте кнопки на панели управления.

Внутренняя подсветка

Для внутреннего освещения используется светодиодная лампа. В случае каких-либо неисправностей данной лампы следует обратиться в авторизованный сервисный центр. Лампы, используемые в данных устройствах, предназначены не для освещения жилища, а только для того, чтобы помочь пользователю безопасно и удобно размещать продукты в холодильник.

Панель управления



1. Кнопка включения/выключения холодильника.
2. Кнопка настройки температуры в холодильной камере.
3. Индикаторы текущей настройки температуры холодильной камеры/режима быстрого охлаждения (**FastCool**).
4. Кнопка настройки температуры в морозильной камере.
5. Индикаторы текущей настройки температуры морозильной камеры/режима быстрого замораживания (**FastFreeze**).

Настройка температуры холодильной камеры

Нажмите кнопку (2) в левой части панели управления, чтобы установить температуру между 2 и 8 °C. Каждое нажатие изменяет значения в последовательности 2, 4, 6, 8 °C, **FastCool** (соответствующий индикатор будет подсвечен). Первое нажатие активирует регулировку, а затем Вы выбираете температуру.

Режим **FastCool**

Режим быстрого охлаждения отключается автоматически через **24 часа** работы, а индикатор гаснет. Режим можно отключить вручную повторным нажатием кнопки (2) в левой части панели управления.


Настройка температуры морозильной камеры


Нажмите кнопку (4) в правой части панели управления, чтобы установить температуру между -16 и -22 °C. Каждое нажатие изменяет значения в последовательности -16, -18, -20, -22 °C, **FastFreeze** (соответствующий индикатор будет подсвечен). Первое нажатие активирует регулировку, а затем Вы выбираете температуру.

Режим **FastFreeze**

Морозильная камера будет работать при температуре -25 °C. Режим быстрой заморозки отключается автоматически через **24 часа** или может быть отключен вручную в любое время повторным нажатием кнопки (4) в правой части панели управления.

Включение/выключение холодильника

Нажимайте кнопку  в течение **3 секунд**, чтобы выключить холодильник. Подсветка холодильника будет отключена, компрессор перестанет работать.

Чтобы включить холодильник, нажимайте на кнопку  в течение **3 секунд**. Кнопка будет подсвечена, компрессор начнет работать.

Звуковое предупреждение

Когда дверца холодильника открыта (неплотно закрыта) более **1 минуты**, раздается звуковой сигнал, напоминающий пользователей о необходимости закрыть дверцу. После закрытия дверцы звуковой сигнал автоматически прекратится.

Эксплуатация

Ни в коем случае не беритесь за уплотнительную резинку, когда открываете холодильник!

Уплотнительная резинка (прокладка или уплотнитель) нужна для герметизации холодильной и морозильной камер. Если дверь холодильника закрывается не плотно, электроприбору становится сложнее (или вообще невозможно) поддерживать необходимую температуру внутри.

Важно регулярно мыть уплотнительную резинку холодильника. Если на уплотнитель попадет жир или масло, это будет способствовать высыханию ПВХ-материала. Затвердевшая и негибкая резинка становится хрупкой и трескается. В результате потребуются ее замена.

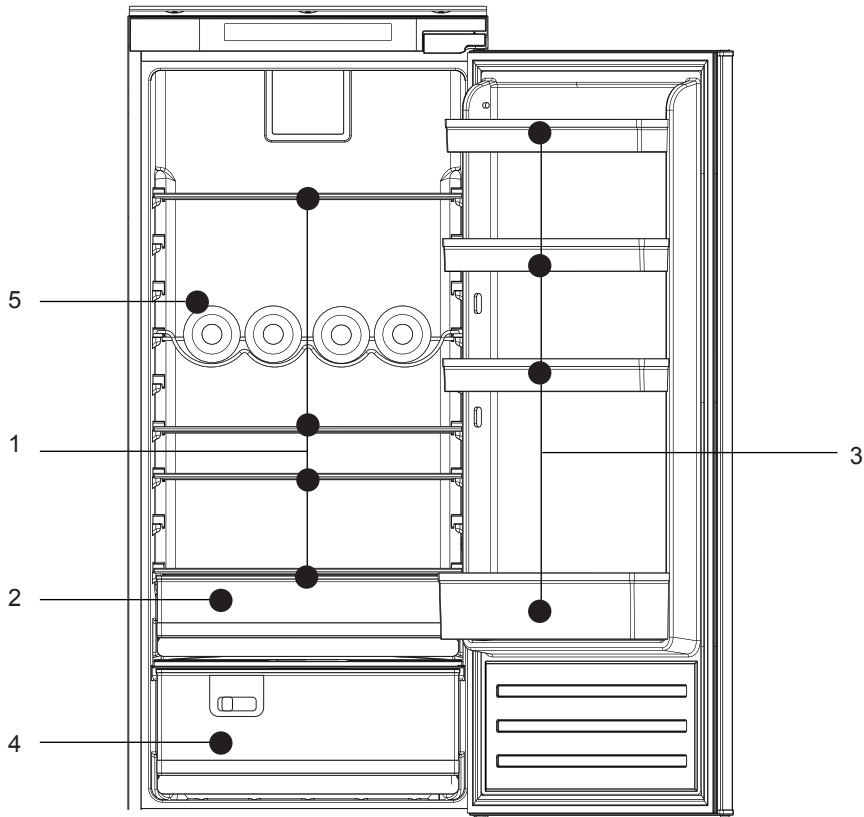
Стеклянные полки камеры и дверные полки при необходимости можно снять для хранения продуктов.

Не допускается прямое соприкосновение продуктов питания со всеми поверхностями внутри холодильника. Продукты должны быть отдельно упакованы в алюминиевую фольгу, целлофан или герметичные контейнеры.

Холодильная камера

Предназначена для хранения продуктов, не требующих заморозки. Разные части пригодны для хранения разных типов продуктов.

- 1 - Стекланные полки
- 2 - Ящик для хранения
- 3 - Дверные полки
- 4 - Ящик с регулировкой влажности **FreshZone**
- 5 - Полка для бутылок



В зависимости от модели холодильника в комплект поставки входят различные пластмассовые и стеклянные полки для хранения продуктов. Одна из стеклянных полок должна быть установлена над контейнером для овощей. Остальные полки устанавливаются по Вашему усмотрению.

Продукты	Расположение в холодильной камере
Сливочное масло, сыр	Верхняя дверная полка
Яйца	Дверная полка
Фрукты, овощи, салаты	FreshZone
Мясо, колбаса, сыр, молоко	Нижняя зона
Молочные продукты, консервы	Верхняя стеклянная полка или дверная полка
Напитки в банках и бутылках, продукты в тубиках	Дверная полка/полка для бутылок

Дверные полки

Дверные полки удобны для хранения:

- Яиц.
- Жидкостей в банках.
- Бутилированных напитков.
- Продуктов в заводской упаковке и т. д.

Не помещайте слишком много продуктов на дверцу холодильника.

При необходимости Вы можете изменить расположение дверных полок. Не прилагайте слишком большое усилие, чтобы избежать поломки пластиковой полки. Пожалуйста, перед использованием убедитесь, что она установлена правильно.

Стеклянные полки

Если необходимо переместить или убрать полку, приподнимите ее рукой и тяните на себя до тех пор, пока полка не достигнет специальной насечки направляющего паза. Чтобы установить полку, вставьте ее в направляющие пазы внутри холодильника. Полка не выскользнет обратно.

Регулировка влажности в нижнем ящике

Вы можете изменять уровень влажности в ящике:

Для выбора высокой влажности установите регулировочный ползунок в крайнее левое положение.

Для выбора низкой влажности установите регулировочный ползунок в крайнее правое положение.



Примечание

Если Вы хотите поместить ингредиенты, которые могут быстро потерять влагу, такие как мясо, в ящик более чем на 4 часа, следует обернуть их полиэтиленовой пленкой, чтобы избежать чрезмерной потери влаги, которая может повлиять на их вкус.

На температуру в отделении для охлаждения оказывает влияние выбранная настройка и температура окружающей среды. Поэтому реальная температура этого отделения может меняться в определенном диапазоне. Температура в холодильном отделении может быть **ниже 0**, и замерзание жидкости в нем считается нормой.

Контейнер для овощей — оптимальное место для хранения свежих фруктов и овощей. Следите за тем, чтобы следующие продукты не хранились при температуре **ниже 6 °C** в течение длительного времени: цитрусовые, дыни, корнеплоды, ананасы, папайя, маракуйя, огурцы, перцы, помидоры. При низких температурах произойдут нежелательные изменения, такие как размягчение мякоти или ускоренное гниение.

Не храните в холодильнике авокадо (пока они не созреют), бананы и манго.

Рекомендации

Не кладите продукты в холодильник горячими, охладите их до комнатной температуры; в противном случае они увеличат потребление энергии.

Упаковочные материалы должны быть без запаха, воздухо- и водонепроницаемыми и не загрязнять окружающую среду, чтобы не испортить упакованные пищевые продукты посторонними запахами и не снизить их вкусовые качества.

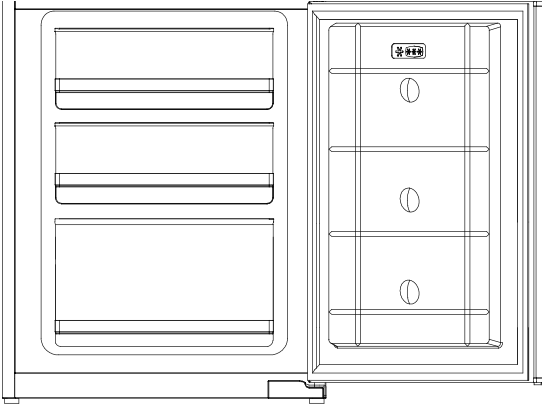
Если холодильник остается пустым в течение длительного времени, выключите его, разморозьте, очистите, высушите и оставьте дверцу открытой, чтобы предотвратить образование плесени внутри прибора.

В таблице приведены рекомендации по хранению продуктов в холодильной камере.

Продукты	Рекомендации по размещению/хранению
Молочные продукты и яйца	На большинстве расфасованных молочных продуктов проставлена рекомендация «Употребить до». Храните их в холодильном отделении и используйте в течение рекомендованного времени. Сливочное масло может испортиться из-за продуктов с сильным запахом, поэтому храните его в герметичном контейнере. Яйца следует хранить в холодильной камере.
Красное мясо	Выложите свежее красное мясо на тарелку и неплотно накройте вощеной бумагой, полиэтиленовой пленкой или фольгой. Храните вареное и сырое мясо на отдельных тарелках. Это предотвратит попадание сока, выделяемого из сырого мяса, на приготовленный продукт.

Продукты	Рекомендации по размещению/хранению
Домашняя птица	<p>Свежую целую птицу следует промыть внутри и снаружи холодной проточной водой, обсушить и выложить на тарелку. Неплотно накройте полиэтиленовой пленкой или фольгой. Кусочки птицы тоже следует хранить таким образом.</p> <p>Целую птицу никогда не следует фаршировать непосредственно перед приготовлением, иначе это может привести к пищевому отравлению.</p>
Рыба и морепродукты	<p>Рыбу и филе целиком следует использовать в день покупки. До готовности охладите на тарелке, неплотно накрытой полиэтиленовой пленкой, вощеной бумагой или фольгой. При хранении в течение ночи или дольше будьте особенно осторожны, выбирая очень свежую рыбу.</p> <p>Целую рыбу следует промыть в холодной воде, чтобы удалить чешую и грязь, а затем обсушить бумажными полотенцами. Положите целую рыбу или филе в герметичный пластиковый пакет.</p> <p>Всегда храните моллюсков охлажденными. Используйте в течение 1–2 дней.</p>
Полуфабрикаты и остатки	<p>Их следует хранить в подходящих закрытых контейнерах, чтобы продукты не пересыхали.</p> <p>Храните всего 1–2 дня.</p> <p>Разогревайте остатки только один раз и до тех пор, пока они не станут горячими.</p>
Продукты питания, особенно жирные продукты, хранящиеся в холодильнике	<p>Избегайте прямого контакта с уплотнителем.</p> <p>При попадании на внутреннюю поверхность масла или жирных пятен от пищи их следует немедленно очистить, чтобы избежать длительного контакта, который может привести к коррозии и растрескиванию облицовки.</p>

Морозильная камера



Морозильная камера предназначена:

- Для хранения продуктов глубокой заморозки.
- Для приготовления кубиков льда.
- Для замораживания продуктов.

Покупка и хранение замороженных продуктов:

- Упаковка не должна быть повреждена.
- Не используйте продукты после окончания срока годности.
- По возможности перевозите продукты глубокой заморозки в изолированном пакете и быстро помещайте в морозильную камеру.
- Храните замороженные продукты при температуре $-18\text{ }^{\circ}\text{C}$ или ниже.
- Не открывайте дверцу морозильной камеры без необходимости.



Примечание

Убедитесь, что дверца морозильной камеры закрыта должным образом.

Не допускается прямое соприкосновение продуктов питания с внутренними поверхностями холодильника. Продукты должны быть завернуты в алюминиевую фольгу, целлофан или упакованы в герметичные пластиковые/стеклянные контейнеры.

Замораживание свежих продуктов

Замораживайте только свежие и неповрежденные продукты.

Чтобы сохранить наилучшую питательную ценность, вкус и цвет, овощи перед замораживанием следует бланшировать. Баклажаны, перец, цуккини и спаржу бланшировать не требуется.

Для замораживания подходят следующие продукты: торты и пирожные, рыба и морепродукты, мясо, дичь, птица, овощи, фрукты, зелень, яйца без скорлупы, молочные продукты (такие, как сыр и сливочное масло), готовые блюда и остатки (такие, как супы, рагу, вареное мясо и рыба, блюда из картофеля, суфле и десерты).

Следующие продукты не подходят для замораживания: виды овощей, которые обычно употребляются в сыром виде (такие, как листья салата или редис), яйца в скорлупе, виноград, цельные яблоки, груши и персики, сваренные вкрутую яйца, йогурты, сгущенное молоко, сметана и майонез.

Рекомендуемое время хранения замороженных продуктов в морозильной камере

Это время варьируется в зависимости от вида пищи. Продукты, которые Вы замораживаете, могут сохраняться от **1 до 12** месяцев (при температуре не выше **-18 °C**).

В таблицах приведены рекомендации по хранению замороженных продуктов.

Продукты	Длительность хранения в месяцах
Бекон, запеканки, молоко	1
Хлеб, мороженое, сосиски, пироги, готовые моллюски, жирная рыба	2
Нежирная рыба, моллюски, пицца, булочки и маффины	3
Ветчина, пирожные, печенье, отбивные из говядины и баранины, кусочки птицы	4
Сливочное масло, овощи (бланшированные), яйца целиком и желтки, вареные раки, мясной фарш (сырой), свинина (сырая)	6
Фрукты (сухие или в сиропе), яичные белки, говядина (сырая), курица целиком, баранина (сырая), фруктовые пирожные	12

Продукты	Размещение
Мелкие замороженные продукты	Ящик морозильной камеры
Замороженные продукты в заводской упаковке	Ящик морозильной камеры
Рыба, мясо, мороженое	Нижняя область

Отделения с одной (*), двумя (**), и тремя звездочками (***) не подходят для замораживания свежих продуктов.

Отделения для замороженных продуктов с двумя звездочками (**) подходят для хранения предварительно замороженных продуктов, хранения или приготовления мороженого и кубиков льда. Отделения для замороженных продуктов с обозначением (***) * подходят для замораживания свежих продуктов.

При хранении замороженных продуктов размещайте их равномерно внутри морозильной камеры.

Не помещайте продукты в бутылках или консервных банках в морозильную камеру.

Отметьте дату замораживания на упаковочном пакете в соответствии с различными сроками хранения продуктов, чтобы предотвратить превышение установленного срока.

Разделите продукты на подходящие кусочки и упакуйте их отдельно, чтобы их было легко заморозить. Тщательно перемешайте, чтобы они не застыли вместе.

Не кладите в морозильную камеру слишком много свежих продуктов за один раз, предпочтительно не превышать значения морозильной способности холодильника.

Нельзя повторно замораживать размороженные продукты, если только из них не готовят блюда.

Стеклянные бутылки или тара из стекла не должны помещаться в морозильную камеру: они могут взорваться.

Пищевые продукты не должны перекрывать выход воздуха; в противном случае это приведет к неправильной циркуляции воздуха.

Очистка и уход

Меры предосторожности при внутренней и внешней чистке холодильника:

- Перед чисткой всегда выключайте питание, отсоединяйте вилку от розетки.
- Во время чистки следите за тем, чтобы вода не попала на выключатель, панель управления, подсветку и блок управления.

Запрещается промывать холодильник непосредственно водой: это может повлиять на электроизоляционные свойства и т. д.

Запрещается чистить холодильник металлическими салфетками, щетками для посуды, чистящими средствами с грубым абразивом, сильными щелочными моющими средствами, легковоспламеняющимися или токсичными чистящими жидкостями.

Удалите грязь с внешней стороны холодильника мягким чистящим средством, затем протрите чистой мягкой тканью и дайте холодильнику высохнуть естественным путем.

При чистке уплотнительной ленты двери всегда используйте ткань, смоченную в чистой воде, затем протрите сухой тканью и дайте ленте высохнуть естественным путем.

Смочите мягкую ткань теплой водой или нейтральным чистящим средством, чтобы протереть корпус холодильника, за исключением уплотнительной планки дверцы.

Размораживание

Этот холодильник имеет функцию автоматического размораживания.

Очистка внутренних поверхностей

По гигиеническим соображениям необходимо регулярно чистить холодильник изнутри, включая все внутренние принадлежности.

Полки и ящики вынимаются из холодильника и могут быть очищены отдельно. Не мойте их в посудомоечной машине.

Для облегчения очистки выбирайте время минимальной загрузки продуктами.

Промокните внутренние поверхности холодильника слабым раствором пищевой соды и протрите смоченной в теплой воде губкой или тканью. Тщательно высушите все поверхности и съемные детали перед тем, как поместить их обратно.

Если Вы регулярно обнаруживаете большое скопление льда или лужи воды в морозильной камере, скорее всего, дверца неплотно прилегает к корпусу холодильника. Это может быть связано с неисправным уплотнителем двери, неправильно установленной или слишком тяжелой декоративной панелью на дверце.

При частом или длительном открывании дверцы возможно образование инея на внутренних стенках холодильника. Если слой инея слишком толстый, выберите время минимальной загрузки продуктами и поступите следующим образом:

– Удалите продукты и корзины, отключите прибор от сети и оставьте дверцы открытыми. Тщательно проветривайте комнату для ускорения процесса размораживания.

– Когда размораживание будет закончено, выполните очистку холодильника как описано выше.



Внимание!

Не используйте острые предметы для удаления инея из морозильного отделения. Прибор можно подключать к сети только после его полного высыхания.

Очистка уплотнителя дверцы

Следите за чистотой уплотнителя дверцы. Он может прилипнуть к корпусу и порваться при открытии дверцы из-за липких следов от продуктов и напитков. Очистите уплотнитель с применением мягкого моющего средства и теплой воды. Вытрите насухо после очистки.



Внимание!

Прибор можно подключать к сети только после полного высыхания уплотнителя.

Техническое обслуживание

Все ремонтные работы должны производиться авторизованным сервисным центром с использованием оригинальных запчастей.



Внимание!

Ни при каких обстоятельствах не пытайтесь отремонтировать холодильник самостоятельно. Ремонт, произведенный неопытным или неквалифицированным лицом, может привести к серьезной неисправности или травме.

При отключении питания

Как правило, кратковременный сбой питания не окажет резкого влияния на температуру холодильника. Однако, если отключение питания продолжается в течение длительного времени, Вы должны уменьшить частоту открывания холодильника, также не следует класть в него свежие продукты (не допускайте ускорения повышения температуры в холодильнике).

Если Вы знаете о предстоящем отключении питания, то можете заранее включить режимы **FastCool** и **FastFreeze**, чтобы поддерживать температуру холодильника на самом низком уровне.

Выключение

Как правило, не рекомендуется выключать холодильник или отключать его от сети без необходимости; в противном случае это может повлиять на срок службы холодильника.

Рекомендации по экономии энергии

Не помещайте теплую пищу прямо в холодильник — дайте ей остыть.

Не устанавливайте холодильник вблизи источников тепла, таких как плиты, радиаторы и т. д. Компрессор будет работать дольше и чаще из-за высокой температуры в помещении.

Если холодильник работает, не открывайте дверцу слишком часто и не оставляйте ее открытой надолго.

Не устанавливайте температуру ниже необходимой.

Правильно располагайте продукты в холодильнике. Не превышайте срок хранения, указанный на упаковке.

Изменение расположения ящиков и полок внутри холодильника может увеличить потребление электроэнергии.

При размораживании замороженных продуктов Вы можете поместить их в холодильную камеру, что поможет снизить температуру в ней.

Обязательно храните холодильник вдали от источников тепла и прямых солнечных лучей.

Если холодильник не работает



Внимание!

Когда Вы включаете холодильник в первый раз, компрессор будет работать на высокой скорости, чтобы быстрее достичь требуемой температуры внутри холодильника, и звук может казаться громче. Когда внутренняя температура упадет ниже определенного уровня, шум утихнет.

Когда начинается или заканчивается работа компрессора, расширяются/сжимаются различные детали, работают различные устройства управления или изменяется температура внутри холодильника, вы услышите различные звуки, это нормально.

Информация из таблицы поможет самостоятельно устранить некоторые распространенные неполадки. Если устранить неполадки самостоятельно не получается, следует обратиться за помощью к специалисту или в авторизованный сервисный центр.

Проблема	Возможные причины	Пути решения
Индикаторы на панели управления не подсвечены	Вилка шнура питания не вставлена в розетку или вставлена не до конца	Вставьте вилку шнура питания в розетку
	Предохранитель сгорел или неисправен	Проверьте предохранитель и замените его, если необходимо
Холодильник не включается	Низкое напряжение в сети электропитания	Проверьте параметры сети электропитания на соответствие требуемым
	Слишком высокая температура окружающей среды	При слишком высокой температуре окружающей среды старт компрессора может занять длительное время
Холодильник не работает	Вилка шнура питания не вставлена в розетку или вставлена не до конца	Вставьте вилку шнура питания в розетку
	Предохранитель неисправен	Проверьте предохранитель, замените его, если необходимо
	Розетка неисправна	Неисправная розетка должна быть заменена электриком
	Отключение электроэнергии	Проверьте, работают ли остальные бытовые электроприборы

Проблема	Возможные причины	Пути решения
Компрессор не работает	Холодильник не включен	Проверьте причины, указанные в пункте «Холодильник не работает». Нажмите кнопку включения на панели управления
	Холодильник в режиме автоматической разморозки	Компрессор заработает автоматически спустя некоторое время
Греется стенка холодильника	Осуществляется отвод тепла	При длительной работе холодильника это нормальное явление
Компрессор работает, не выключаясь	Температура окружающей среды слишком высокая или в холодильник помещено значительное количество неохлажденных продуктов	Для достижения требуемой температуры в холодильнике потребуется некоторое время
	Недавнее отключение электроэнергии или отключение холодильника от сети	Потребуется несколько часов работы компрессора для достижения в холодильнике нужной температуры
	Дверцу холодильника открывают слишком часто	Снижение частоты открывания дверцы позволит холодильнику поддерживать требуемую температуру, не включая компрессор часто
Конденсат внутри холодильника	Потоки воздуха из внешней среды попадают внутрь холодильника и соприкасаются с холодными поверхностями	Появление конденсата в умеренном количестве — нормальное явление. Протрите поверхность холодильника сухой мягкой тканью
	Уплотнитель двери нужно заменить	Убедитесь, что при открывании дверцы прибора ощущается некоторое сопротивление. Если она открывается при малейшем прикосновении, это может означать, что уплотнитель двери следует заменить
	Неправильная установка декоративной двери	Проверьте уплотнитель двери на наличие перегибов, мусора или повреждений. Попросите своего монтажника проверить отделку дверей
Холодильник замерзает или охлаждает слишком сильно	Установлена слишком низкая температура или включен режим FastCool	Временно установите более высокую температуру в холодильном отделении

Если холодильник не работает

Проблема	Возможные причины	Пути решения
Продукты недостаточно охлаждены	Температура не отрегулирована должным образом	Проверьте уплотнитель двери на наличие перегибов, мусора или повреждений. Попросите своего монтажника проверить отделку дверей
	Дверь холодильника была открыта в течение длительного времени	Открывайте дверь только при необходимости
	В последние 24 часа в холодильник было помещено большое количество теплых продуктов	Временно установите более низкую температуру
	Холодильник находится рядом с источником тепла	Следуйте указаниям из раздела Требования к размещению
Необычный шум	Холодильник установлен неровно	Отрегулируйте ножки
	В боковые и заднюю стенки что-то упирается, что-то расположено на холодильнике	Расположите холодильник так, чтобы он не прилегал вплотную к другим предметам. Ничего не кладите на холодильник
	Охлаждающий газ в холодильнике может издавать легкое бульканье, даже когда компрессор не работает	—
Специфический запах в холодильнике	Продукты испортились	Утилизируйте испорченные продукты
	Холодильник загрязнен	Почистите холодильник (см. раздел «Очистка и уход»)
	Неупакованные продукты с сильным запахом	Упакуйте продукты с сильным запахом
Раздается звук сигнализации открытой двери (писк)	Дверца холодильника приоткрыта или открыта более 1 минуты	Закройте дверь плотно
Внутреннее освещение не работает	Осветительная лампа перегорела	Обратитесь в авторизованный сервисный центр
	Система управления отключила лампы из-за того, что дверь слишком долго оставалась открытой	Чтобы снова активировать лампы, закройте, а затем откройте дверцу

Информация по гарантии

Сохраняйте гарантийный талон на холодильник. На элементы и аксессуары, приобретаемые в дополнение, гарантия не распространяется. Материалы, которые необходимо заменить с течением времени и в зависимости от интенсивности использования, как указано в руководстве по эксплуатации, не подпадают под действие гарантии. Данная гарантия не распространяется на сбои, возникающие в результате ненадлежащего или коммерческого использования, и следующие ситуации:

1. Любые повреждения и неисправности, возникающие в результате установки и использования устройства с нарушением инструкций, приведенных в руководстве.
2. Любые повреждения и неисправности, связанные с транспортировкой холодильника после его доставки заказчику.
3. Любые повреждения и поломки из-за низкого или чрезмерного напряжения, неправильной электрической установки, использования при напряжении, которое отличается от указанного на табличке изделия.
4. Повреждения и неисправности из-за пожара и/или молнии.
5. Вмешательство в конструкцию и ремонт оборудования кем-либо, кроме уполномоченного лица.
6. Проблемы, возникающие при монтаже любых деталей, кроме поставляемых производителем.

Продавец, дилер, агентство или представитель, у которого потребитель приобретает изделие, несет ответственность за выдачу и доставку гарантийного талона потребителю. Фальсификация гарантийного талона, удаление оригинального серийного номера с продукции делает гарантию недействительной.

В случае несоблюдения мер предосторожности, указанных в руководстве в отношении изделий из нержавеющей стали, могут появиться почернение, окисление и волны на поверхности. Такие условия не подпадают под действие гарантии.

Предупреждения по транспортировке и обработке

Во время обработки соблюдайте указания знаков на картонной коробке.

Если требуется транспортировка:

Сохраняйте оригинальную упаковку.

Перевозите в оригинальной упаковке и соблюдайте указания знаков на упаковке.

Если оригинальная упаковка недоступна, не помещайте тяжелые предметы на холодильник.

Соблюдайте следующие меры:

1. Приобретая холодильник, получите гарантийный талон.
2. Если Вам требуется обслуживание изделия, обратитесь в авторизованный сервисный центр.

Срок службы — 10 лет. Производитель гарантирует, что в течение этого периода запасные детали для изделия будут доступны.

Обслуживание и запасные детали

При необходимости Вы можете приобрести запасные детали для холодильника в авторизованном сервисном центре. В упаковке находится список сервисных центров. Чтобы запросить запасную деталь при обращении в сервисный центр или к дилеру, укажите версию изделия из таблицы внутри корпуса.

Если Вы соблюдаете все инструкции, но неисправность остается, можете связаться с сервисным центром.

Сервисная служба

При возникновении любых вопросов, связанных с покупкой, эксплуатацией и обслуживанием техники **MILLEN**, вы можете проконсультироваться по телефону с сервисной службой **8-800-77-55-44-7**.

Подробные условия гарантийного обслуживания Вы найдете в гарантийном талоне внутри упаковки.



MILLEN

Благодарим Вас за выбор техники MILLEN!

Мы заботимся о наших покупателях на каждом шаге взаимодействия с брендом: от момента выбора и до гарантийного обслуживания.

Если Вы столкнулись с неисправностью в работе техники, оставьте заявку на обслуживание на официальном сайте elixer.pro



Программа Elixir распределяет заявки только в **авторизованные сервисные центры**, прошедшие аттестацию службы качества бренда MILLEN.



100% оригинальные запчасти

Все запчасти производитель MILLEN напрямую отправляет в сервисные центры мастеров.



Квалифицированные мастера ремонта

крупной встраиваемой бытовой техники.



elixer.pro



Утилизируйте упаковку с соблюдением правил экологической безопасности.

Материалы, используемые для упаковки данного изделия, пригодны для вторичной переработки.

Перед тем как утилизировать отслужившее изделие приведите его в нерабочее состояние, чтобы оно не представляло опасность.

Для этого отсоедините холодильник от сети питания и обрежьте кабель питания. Для защиты окружающей среды важно, чтобы старые приборы утилизировались надлежащим образом.

Не утилизируйте данное изделие вместе с бытовым мусором.

Значок в виде перечеркнутого мусорного бака на колесах:

Запрещается утилизировать электрооборудование вместе с несортированными бытовыми отходами, используйте специализированные пункты сбора отходов. Обратитесь в местные органы власти для получения информации о ближайших пунктах сбора.

Когда электрооборудование отправляется на мусорные полигоны, то опасные вещества, попав в грунтовые воды и далее в пищевые цепочки, могут навредить вашему здоровью и самочувствию. В зависимости от законодательных требований, при замене старого прибора на новый дилер может быть обязан забрать ваш старый прибор для утилизации, как минимум бесплатно.

Согласно ст. 26 законодательного декрета от 14 марта 2014 года № 49 «Исполнение директивы 2012/19/ЕС об утилизации отходов электронного и электрического оборудования (RAEE)»: знак перечеркнутого мусорного бака, приведенный на приборе или на его упаковке, означает, что по завершении срока службы прибора его необходимо утилизировать отдельно от других отходов.

Поэтому пользователь должен будет сдать отслуживший прибор в подходящие муниципальные центры по раздельному сбору отходов электронного и электрического оборудования.

В качестве альтернативы самостоятельной утилизации можно сдать прибор дилеру в момент приобретения нового равнозначного прибора.

Кроме того, в точках продаж электронных, электрических изделий, площадь которых превышает 400 м², можно, приобретая новое изделие, бесплатно, без каких-либо обязательств сдавать электронные приборы размером менее 25 см, подлежащие утилизации.

Надлежащий раздельный сбор отходов, отслуживших электроустройств для последующей переработки и утилизации, совместимый с охраной природы, позволяет избежать негативного воздействия на окружающую среду и здоровье людей, а также способствует повторному использованию материалов, из которых состоит прибор

MILLEN активно участвует в сохранении окружающей среды:

- Осуществлен переход к использованию материалов, уменьшающих воздействие на окружающую среду в процессах производства и эксплуатации.
- В производстве применяются более экологически чистые хладагенты.
- Сокращено потребление энергии и воды, как в процессе производства техники, так и путем внедрения экономичных решений в модели техники.
- Используем перерабатываемые и переработанные материалы в производстве самой бытовой техники и в упаковке.

Техника MILLEN соответствует стандартам устойчивого развития и оценкам экологических характеристик.

Путаетесь в терминах, связанных с переработкой? Словарик всего из пяти слов поможет разобраться:



1. Разборка отходов – начальный этап переработки, когда из всего, поступившего для переработки, выбирают только то, что подходит для вторичного использования.



2. Сортировка отходов – уже отобранные элементы, детали, части корпусов сортируют в зависимости от материала изготовления: пластик, металл, стекло и т.д.



3. Рециклинг – применение отходов по прямому назначению, а также их возврат в производственный цикл (после определенной подготовки).



4. Утилизация отходов, брака, отслуживших изделий – их повторное применение, использование для изготовления чего-то нового, сюда входят и оказание услуг, и выполнение работ, и рециклинг.



5. Переработка – в отличие от утилизации это именно процесс превращения отходов в энергию или новую продукцию.

Для улучшения качества жизни на всех уровнях мы предлагаем каждому участвовать в экологичной утилизации – не выбрасывать, а сдавать отслужившую технику.



Manufacturer / Производитель:

QINGDAO XINXING HOUSEHOLD APPLIANCE CO.,LTD. No.7 Road Beian Office Jimo Qingdao, China.

Importers:

Vybor Ltd, 197375, Russia, Saint Petersburg, Verbnaya street, 27A. Technoland Ltd, 19 7375, Russia, Saint Petersburg, Verbnaya street, 27A, 7-N (№ 8). Technomir LLC, 188640, Russia, Vsevolozhsk, Vsevolozhskiy avenue, 72.

Импортёры:

ООО «Выбор» (Vybor Ltd), 197375, Россия, г. Санкт-Петербург, ул. Вербная, д. 27, лит. А.
ООО «Технолэнд» (Technoland Ltd), 197375, Россия, г. Санкт-Петербург, ул. Вербная, д. 27, лит. А, помещ. 7-Н (№ 8).
ООО «Техномир» (Technomir LLC), 188640, Россия, г. Всеволожск, пр-кт Всеволожский, д. 72.

The serial number is indicated on the device in the following format: **SAAAAAYMMBBBB**, where **SAAAAA** represents the model code, **YY** indicates the manufacturing year, **MM** represents the manufacturing month, and **BBBBB** indicates the model number within the batch.

Серийный номер указан на устройстве в следующем формате: **SAAAAAYMMBBBB**, где **SAAAAA** — код модели, **YY** — год изготовления, **MM** — месяц изготовления, **BBBBB** — номер модели в партии.

www.millen.eu





Manufacturer:
QINGDAO XINXING HOUSEHOLD APPLIANCE CO.,LTD.
No.7 Road Beian Office Jimo Qingdao, China.

LEMAL LLC-FZ is the official importer and distributor of MILLEN kitchen appliances in the UAE.

Importer:
LEMAL L.L.C-FZ

الشركة المصنعة



اسم الشركة
ليمال ش.ذ.م-منطقة حرة

مستوردين

مركز الأعمال 1، طابق الميزانين، فندق الميدان، ند الشبا، دبي، الإمارات العربية المتحدة

يتم توضيح رقم التسلسل على الجهاز بالتنسيق التالي: SAAAAAYMMBBBB

حيث SAAAAA يمثل رمز النموذج، YY

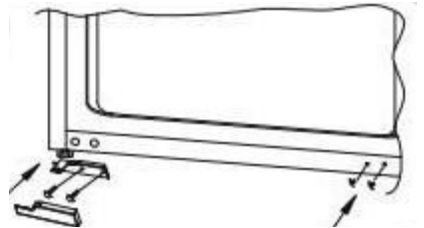
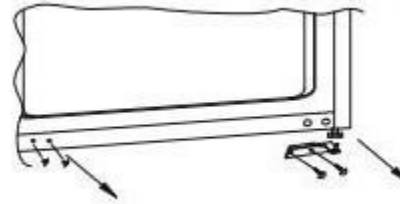
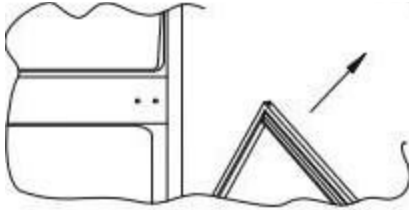
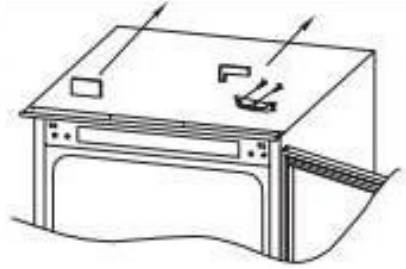
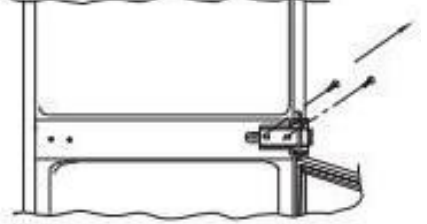
يشير إلى سنة التصنيع، MM يمثل شهر التصنيع، وBBBBB يشير إلى رقم النموذج في الدفعة.

www.lemal.ae



LEMAL.AE

5. فك المفصلة اليمنى السفلية مع الغطاء من الجانب الأيسر. ثبت الغطاء على الجانب الأيمن.
6. ثبتت المفصلة العلوية على الجانب المقابل في الأسفل (انظر الصورة أدناه).
7. ثبتت الباب السفلي باستخدام شرائط العزل و ثبتت المفصلة المركزية على الباب على الجانب المقابل (انظر الصورة أدناه). بعد نزع الغطاء، ثبتت المفصلة بإحكام بالثلاجة.
8. ثبتت المفصلة السفلية على الجانب المقابل في الأعلى (انظر الصورة أدناه). أعد تثبيت الباب العلوي والمفصلة إلى مكانهما وارتبطها بإحكام بالثلاجة.
9. أعد تثبيت سداة الغطاء المركزي وأغطية المفصلات العلوية إلى مكانهما الأصلي من أجل الانتهاء من عملية التركيب.
10. أعد تثبيت جميع الموجهات وعناصر التثبيت على أبواب الثلاجة والباب الزخرفي لتناسب مع تصميم الباب الجديد.



بعد التثبيت، تأكد من أن الفجوة بين الباب الخشبي والجدار الجانبي للخزانة أقل من 1 مم.

يجب أن تفتح أبواب الثلاجة بسلاسة وتُغلق بإحكام. إذا اقتضت الضرورة، اضبط المفصلات أو مواضع عناصر التثبيت أو كليهما.

إذا لم تكن الثلاجة مضبوطة ومستوية، فقد يختل عمل الباب وشرائط العزل، ونتيجة لذلك، قد لا تعمل الثلاجة على النحو المنشود.

تغيير اتجاه فتح الباب

ثبت الثلاجة في وضع عمودي، وافتح الأبواب، وقم بإزالة جميع أرفف الباب (لتجنب تعريضها للتلف أو الضرر). تأكد من أن الثلاجة فارغة وغير موصولة بالتيار الكهربائي.

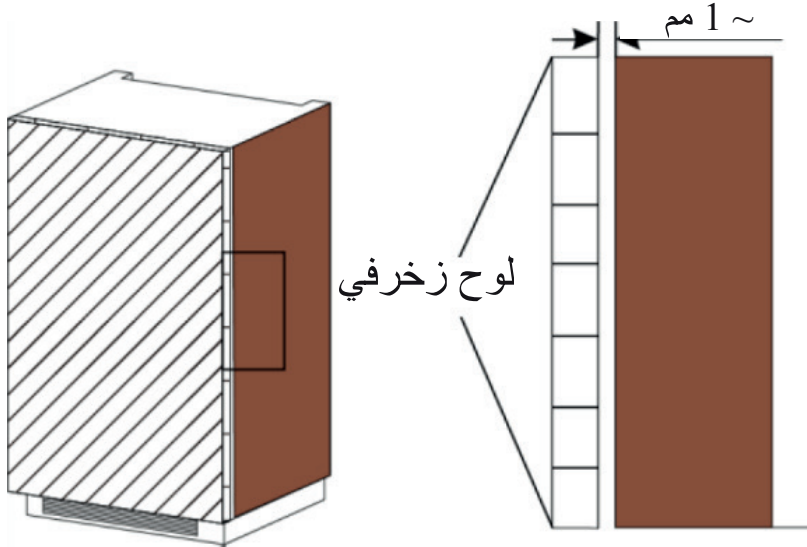
قم بفك جميع عناصر التثبيت المخصصة للوحات المنزقة من الأبواب وانقلها إلى الجانب الأبعد عن مواضع المفصلات الجديدة قبل تثبيت الباب الزخرفي.

1. قم بإزالة غطاء المفصلة العلوية بعناية واسحب البراغي التي تثبت المفصلة العلوية، وفي نفس الوقت تثبت الباب العلوي.

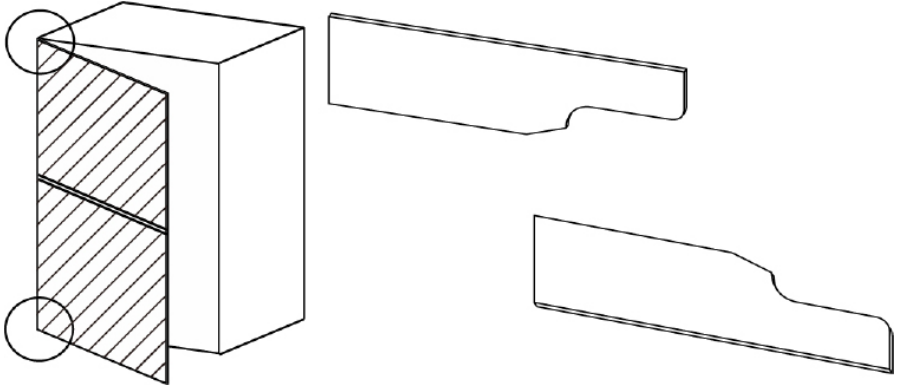
2. فك الباب العلوي بعناية وضعه في مكان آمن. يرجى ملاحظة أن هناك شريط عازل بين الباب والمفصلة؛ تذكر عددها ومواقع تثبيتها.

3. فك المفصلة المركزية من خلال فك البراغي التي تثبتها بالثلاجة؛ وفي نفس الوقت أمسك الباب السفلي.

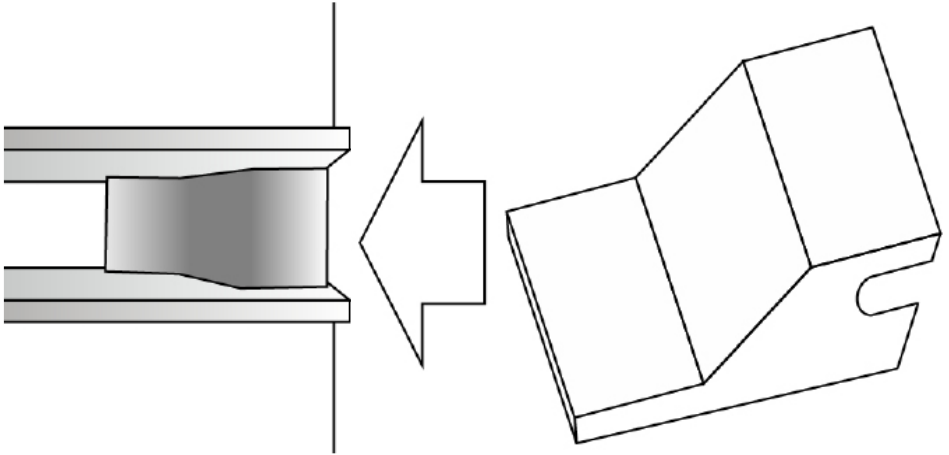
4. فك الباب السفلي بعناية وضعه في مكان آمن، ومرة أخرى تذكر مواضع جميع شرائط العزل.

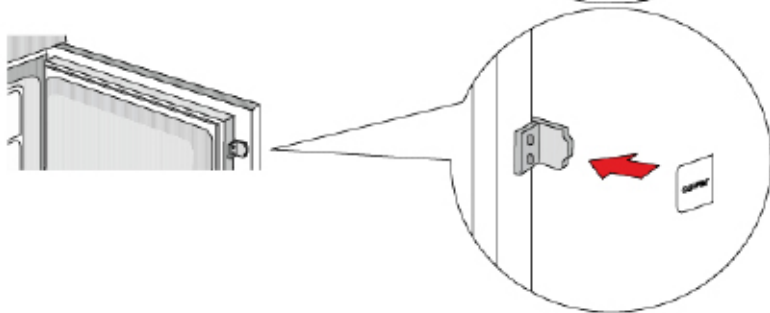
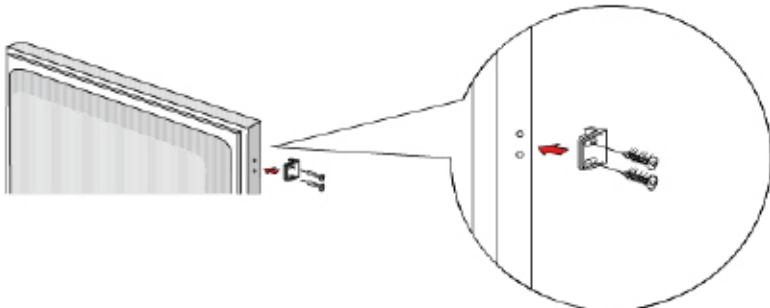
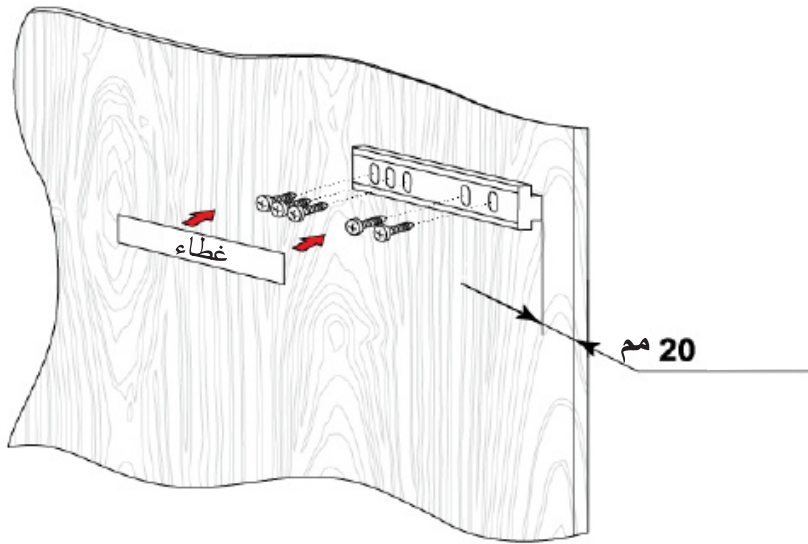


رُكَب أَغْطِيَةِ المَفْصَلَات (إن وجدت).

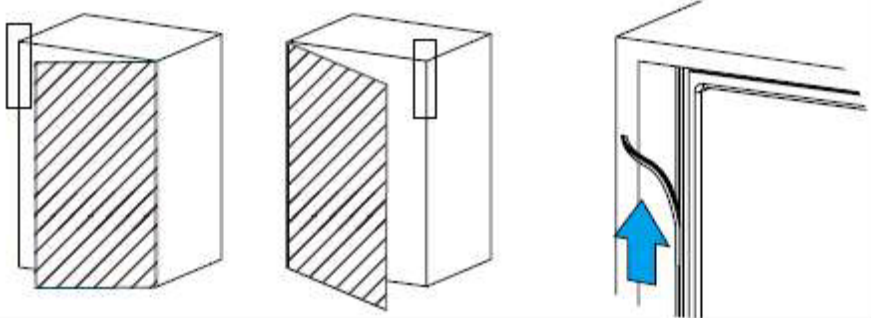


رُكَب غِطَاء المَفْصَلَةِ الوَسْطَى (إن وجد).

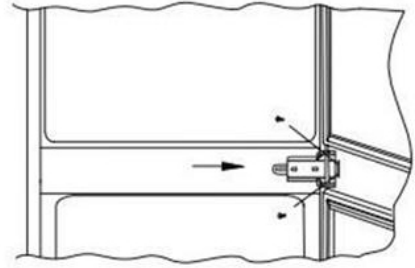




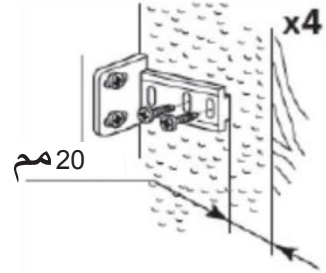
استخدم شريطاً خاصاً لسد التجويف على الجانب المفتوح من باب الخزانة.



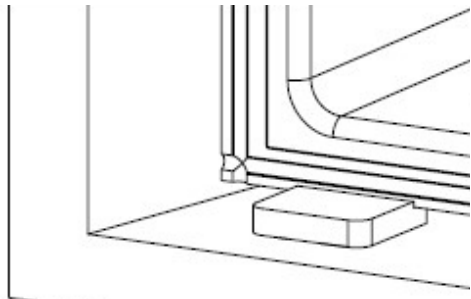
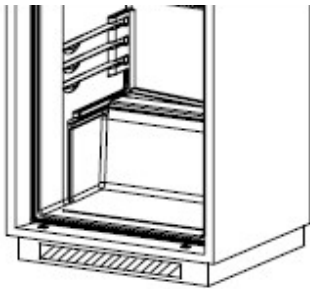
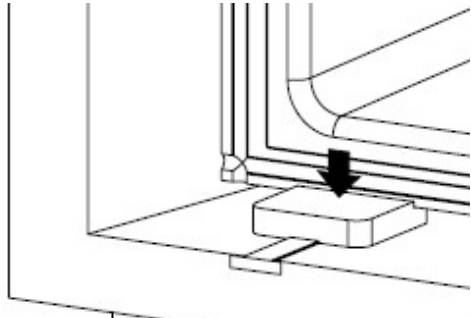
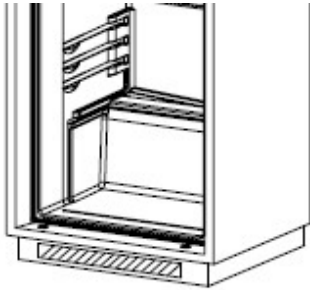
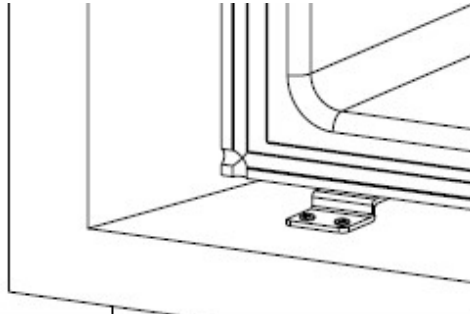
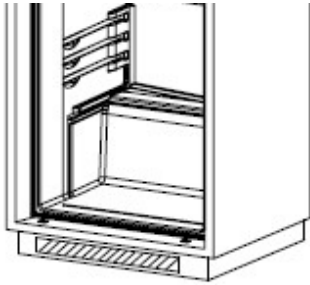
باستخدام مفك متصالب، قم بإرخاء برغي التوصيل الموجود أسفل المفصلة الوسطى واضبطه بحيث يتم تثبيته في جدار الخزانة.



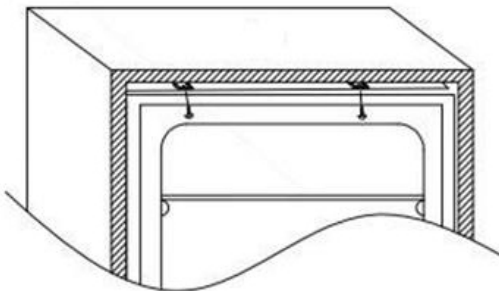
قم بتركيب اللوحات المنزلقة والسدادات عليها. ثم قم بتوصيل اللوحة الزخرفية وجسم الثلاجة
تثبت الموجهات على الواجهة المزخرفة باستخدام
البراغي. يجب أن يتطابق موقع الموجهات مع موقع حوامل الموجهات على باب الثلاجة.
أغلق الموجهات بغطاء. ثم تثبت عناصر التثبيت المخصصة للتوصيل على باب الثلاجة.



قم بإزالة الألسنة البلاستيكية بعد تركيب الثلاجة.

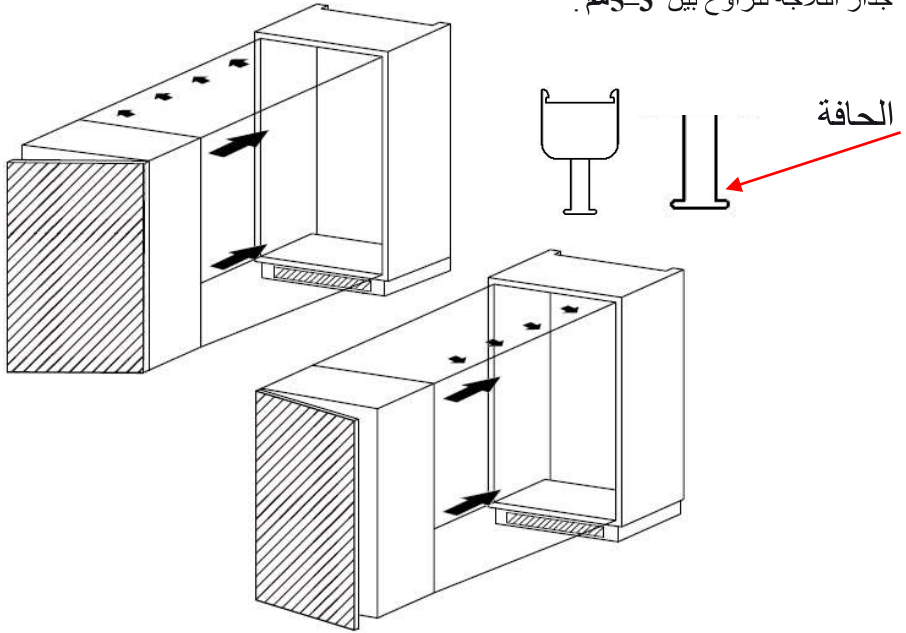


تثبت الثلاجة بأعلى الخزانة.

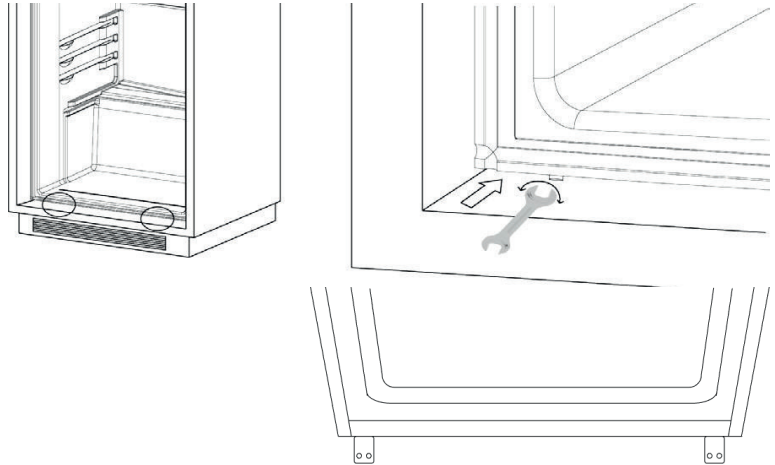


التركيب والتوصيل

ركب الأبواب على جسم الثلاجة (في حالة قمت بإزالتها، على سبيل المثال، أثناء النقل). اطلب من شخص ما مساعدتك في وضع الثلاجة في الخزانة. تأكد من أن المسافة بين الخزانة وبين جدار الثلاجة تتراوح بين 3-5 مم.



لضمان التشغيل السليم للثلاجة، اضبط ارتفاع الأرجل الموجودة في الجزء الأمامي منها. تأكد من ثبات الثلاجة.



يوجد صفحتان معدنيتان في قاعدة الثلاجة. تُثبت الثلاجة بقاعدة الخزانة. قم بتثبيت وشد دواعم الأرجل في الجزء السفلي من الثلاجة. تعمل التواءات البلاستيكية الموجودة على الحواف كدليل لتحديد المسافة التي يجب أن تكون بين الثلاجة وحافة الخزانة.

التركيب والتوصيل

توضح الأشكال أدناه أبعاد الثلاجة، مما سيساعدك على تحديد الموقع الأمثل لتثبيتها. قد تختلف الأبعاد الفعلية للجهاز بعض الشيء.

فتحات التهوية

يمكن أن تؤدي التهوية غير السليمة إلى فشل سابق لأوانه للضاغط، علاوةً على استهلاك مفرط للطاقة، وفشل كامل في النظام وإلغاء الضمان على الجهاز.

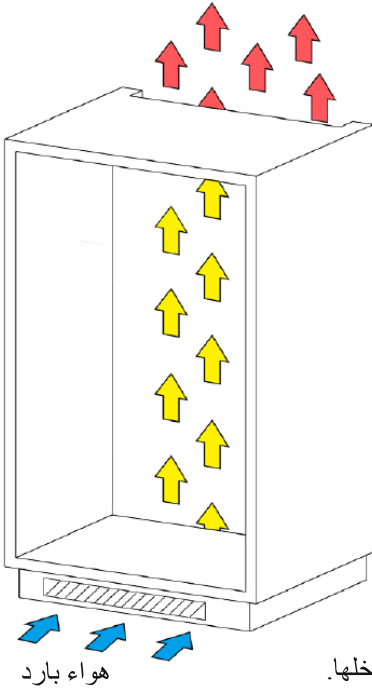
بالنسبة للثلاجات المخصصة لتبريدها داخل خزانة، يجب استيفاء المتطلبات التالية:

- اصنع فتحة في خزانة المطبخ بمساحة **200 سم²** مربع لتوفير التهوية اللازمة.
- من الضروري توفير ممر هوائي في الجزء العلوي من الخزانة بحيث تتيح دوران فعال للهواء حول الثلاجة.
- يجب أن يكون هناك مساحة مناسبة في الجزء الخلفي من الخزانة لتزويد المكثف بالهواء البارد. الحجم الموصى به: **35 × 500 مم**

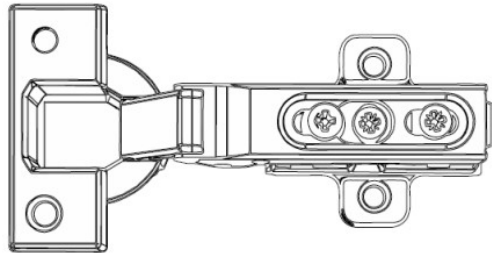
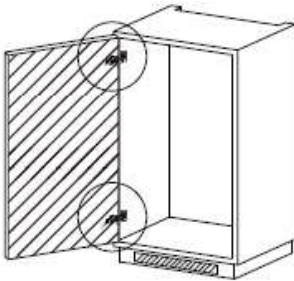
- يجب عمل فتحة في القاعدة أسفل الثلاجة (الحجم الموصى به: **10 × 600 مم**) وإغلاقها بعناية باستخدام شبكة تهوية. وكبدل لهذه الشبكة من الممكن إزالة الجزء الرقيق من القاعدة للسماح بدخول الهواء إلى الثلاجة.

إذا كان من الضروري تغيير اتجاه فتح الباب، فيستحسن القيام بذلك قبل تركيب الثلاجة في خزانة المطبخ.

هواء ساخن

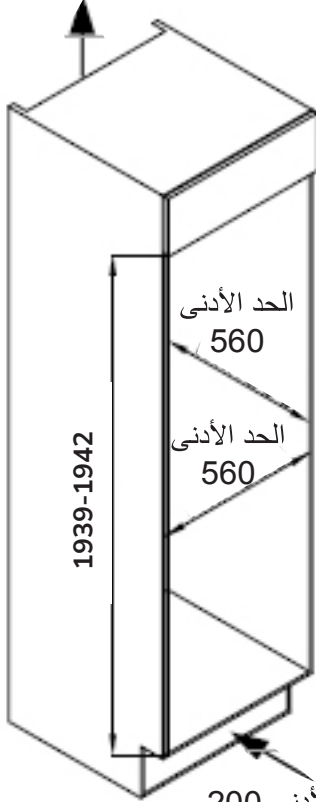


رگب مفصلات باب خزانة المطبخ قبل تركيب الثلاجة بداخلها.

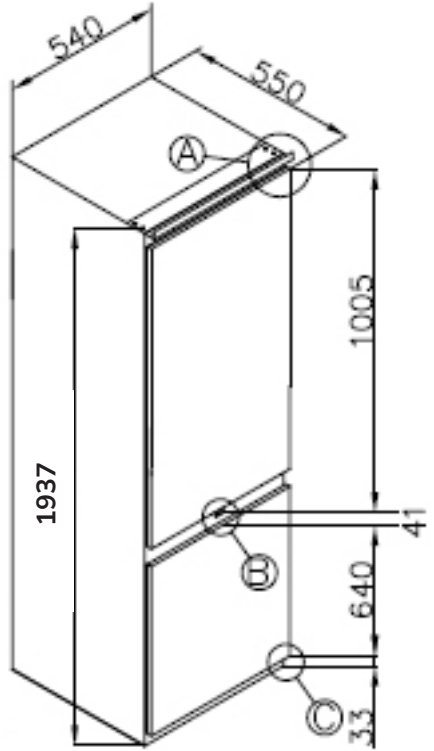


التركيب

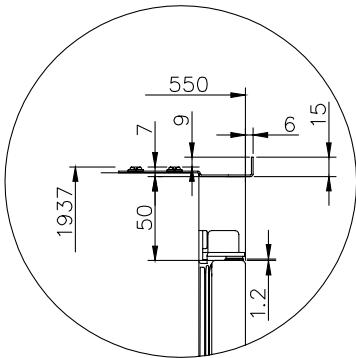
الحد الأدنى 200 سم²



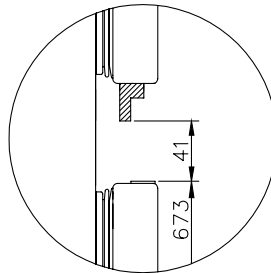
الحد الأدنى 200 سم²



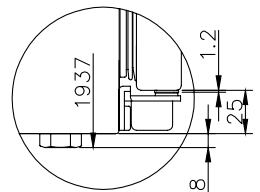
A



B



C



لقد صُنِعَ هذا الجهاز وفقًا للمعايير الأكثر صرامة وهو يمثل لكافة التشريعات المنطبقة، من بينها السلامة الكهربائية (توجيه الجهد المنخفض) وتوافق التداخل الكهرومغناطيسي، في حين تتوافق الأجزاء المزمع ملامستها للأطعمة مع اللائحة رقم. 1935/2004/EC.

معلومات مهمة بشأن التخلص الصحيح من المنتج وفقًا لتوجيه الاتحاد الأوروبي رقم. 2012/19/EU.

عقب نهاية العمر الافتراضي للمنتج، يلزم عدم التخلص منه باعتباره نفايات حضرية، إذ يحتوي نظام التبريد على غازات ومبردات معزولة تتطلب التخلص من النفايات بشكل متخصص ويمكن إعادة تدوير المواد القيمة التي يحتويها هذا الجهاز، كما يلزم نقله إلى مركز جمع النفايات المتباينة التابع لسلطة محلية خاصة أو إلى تاجر يقدم هذه الخدمة.

قبل التخلص من أي جهاز قديم، أزل أقفال الباب وما إلى ذلك للحد من خطر دخول الأطفال وانحباسهم.

يؤدي التخلص من الأجهزة المنزلية بشكل منفصل إلى تجنب العواقب السلبية المحتملة على البيئة والصحة الناجمة عن التخلص غير الملائم، كما يتيح استعادة المواد المكونة لها تحقيق وفورات كبيرة في الطاقة والموارد وللتذكير بالحاجة إلى التخلص من الأجهزة المنزلية بشكل منفصل، يُوسم المنتج بالرمز "صندوق قمامة بعجلات مشطوب عليه".



يجب تحذير جولا تاتف دائرة التبريد.

ينطبق هذا التحذير فقط على الأجهزة ذات دوائر التبريد التي يمكن للمستهلك استخدامها.

الوصول إلى ١٥. (أي إي سي 24-2-60335)

تحذير جولا عند وضع الجهاز، تأكد من عدم احتجاز سلك الإمداد أو تلفه.

تحذير جولا توضع عدة مقابس كهربائية موصولة أو موصولة بطاقة موصولة في الجزء

الداخل من الجهاز

تحذير: نفاذ وضع منافذ طاقة محمولة كثيرة في الجزء الخلفي من الجهاز.

يجب إعادة تدوير الجهاز من قبل مؤسسات معينة، فقد يؤدي التعامل مع الجهاز من خلال الاستخدام الشخصي إلى التسبب في خطر.

يُرجى التعامل مع الجهاز وفقاً للقوانين المحلية المتعلقة بالتخلص خصوصاً أنه يحتوي على غاز قابل للاشتعال.

لا يجب على المستخدم استبدال المصباح بل يجب استبداله من طرف المصنع أو أي مركز أو وكيل خدمة عملاء معتمد.

لا يجوز تحت أي ظرف من الظروف رفع أي أغطية خارجية من أجل تقديم الخدمات أو الصيانة إلا عن طريق موظفين مؤهلين تأهيلاً مناسباً.

معلومات الجهاز:

يرجى إدخال التفاصيل الواردة على لوحة تقييم الجهاز أدناه للرجوع إليها، من أجل مساعدة خدمة العملاء في حالة حدوث أعطال وتسجيل جهازك لأغراض الضمان.

	موديل الجهاز
--	--------------

	الرقم التسلسلي
--	----------------

إقرارات المطابقة الخاصة بالاتحاد الأوروبي:

جرى تصميم هذا الجهاز وتصنيعه وتسويقه وفقاً لمتطلبات السلامة الخاصة بتوجيه الاتحاد الأوروبي رقم. EU/2014/35 (الجهد المنخفض)

ومتطلبات توجيه الاتحاد الأوروبي رقم. EU/2014/30 (التوافق الكهرومغناطيسي).

معلومات مهمة

لا يمكن تحميل الشركة المصنعة المسؤولية عن الإصابات أو الخسائر الناجمة عن الاستخدام أو التثبيت الخاطئ لهذا المنتج ويرجى ملاحظة أننا نحتفظ بالحق في إبطال الضمان المقدم مع هذا المنتج بعد التثبيت الخاطئ للجهاز أو إساءة استخدامه.

هذا الجهاز غير مصمم لاستخدام الأفراد (بما في ذلك الأطفال) الذين يعانون من انخفاض القدرة البدنية أو الحسية أو العقلية أو الذين يفتقرون إلى الخبرة أو المعرفة بشأن هذا الجهاز. ما لم يكن لديهم إشراف أو تعليمات بشأن كيفية استخدام الجهاز يوفرها فرد مسؤول عن سلامتهم.

تعليمات هامة للسلامة:

تحذير: خطر الحريق / مواد القابلة للاشتعال



هذا الجهاز لم يتم إعداده ليطم استخدامه بواسطة الأشخاص (بما فيهم الأطفال) الذين يعانون من ضعف في القدرات البدنية أو الإحساس أو القدرات العقلية، أو قليلي الخبرة والدرائية، ما لم يتلقوا تعليمات وإشراف يتعلق باستخدامه بواسطة شخص مسؤول عن سلامتهم.

يجب مراقبة الأطفال للتأكد من عدم لعبهم بالجهاز.

في حالة تلف سلك التوصيل (سلك الطاقة الكهربائية)، فيجب استبداله بواسطة الشركة المصنعة أو بواسطة وكيل الخدمة وذلك لتجنب أي أضرار.

تم تصميم هذا الجهاز لاستخدامه في المنازل والتطبيقات المشابهة، مثل:

- مناطق مطبخ الموظفين في المتاجر والمكاتب وغيرها من بيئات العمل؛
- منازل المزارع؛
- الزبائن في الفنادق والفنادق الصغيرة وغيرها من البيئات السكنية؛
- بيئات من نوع المبيت والإفطار؛

توفير الطعام والتطبيقات المماثلة غير المتعلقة بالتجذنة.

لا تقم بتخزين المواد المتفجرة مثل علب الهباء الجوي مع مادة دافعة قابلة للاشتعال في هذا الجهاز.

تحذير: أبق فتحات التهوية في حاوية الجهاز أو في الهيكل المضمن خالية من أي عوائق.

تحذير: لا تستخدم أجهزة ميكانيكية أو وسائل أخرى لتسريع عملية إزالة الثلج، بخلاف تلك الوصى بها من طرف المصنع. (أي إي سي 24-2-60335)

تحذير: لا تستخدم الأجهزة الكهربائية داخل حجرات تخزين الطعام في الجهاز، إلا إذا كانت من النوع الذي توصي به الجهة المصنعة. (أي إي سي 24-2-60335)

تحذير: عند وضع الجهاز، تأكد من عدم انحسار سلك الطاقة أو تلفه.

بيان المرفق من النوع Y: في حالة تلف سلك الإمداد، يجب استبداله من قبل الشركة المصنعة أو وكيل الخدمة الخاص بها أو أشخاص مؤهلين بالمثل لتجنب حدوث خطر.

81.....	معلومات مهمة
78.....	احتياطات السلامة
77.....	التركيب والتوصيل



دليل المستخدم

MBI193.3D

AR ثلاجة-مجمدة

